

## LS9406LED: Vedita

### Warranty void if not installed as per installation instructions

Note: Fixture uses intelligent driver. Always leave on for 20 seconds unless programming.

DANGER

ISOLATE LUMINAIRE FROM POWER

Failure to isolate power supply before installation or maintenance may result in fire, serious injury, electric shock, death and may damage the luminaire.



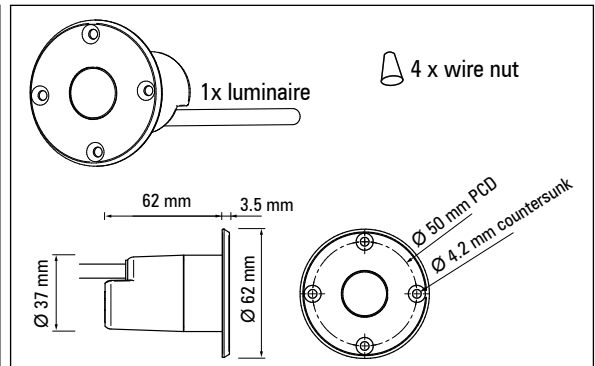
WARNING

It is strongly recommended to use Lumascap power supply or transformer

Use of electronic transformer will permanently damage luminaire

All connections must be kept dry; failure to do so may result in product reliability issues

Opening luminaire will void warranty



**1.** Use a Lumascap supplied 24 V DC ripple free power supply or Lumascap magnetic transformer, locate centrally in relation to the luminaires. **NOTE:** Generally 24 V DC ripple free power supplies should be installed in a well ventilated fully under cover environment. **NOTE:** DC Power supplies are more efficient than AC transformers. Under no circumstances can an 'electronic' transformer be used, this may damage the product.

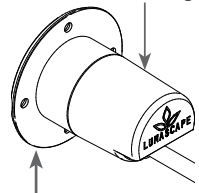
Mark actual locations of luminaires to be installed. Using the charts overleaf calculate the cable size on each run including all luminaires to be connected to a run of cable. Use the same chart to select power supply.

**2.** Calculate the distances and use the attached table to calculate sizes and Power Supply sizes. **NOTE:** If dimming is required 4 wires must be run. 1 mm cable is adequate for the dimming signal. **NOTE:** Standard cable is 8 m long and may be extended or shortened as required. Any joint must be watertight or warranty will be void.

**3.** Connect the luminaire cable to the supply cable using the wire nuts supplied. The luminaire cable may need to be trimmed to length as it is supplied standard at 8 metres in length. Full length of luminaire cable can be used if required. Keep any joints dry. **NOTE:** The orange and grey wires are for optional pwm digital dimming using 0-10 V. Lumascap accessory LS6125 is required. If dimming is not required, do not connect these wires. In any case ensure they are kept dry.

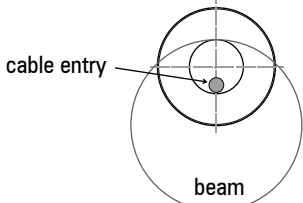
IMPORTANT

Plastic component is NOT load bearing.



Product is designed to be supported by flange

When luminaire (e.g. LS9406LED-#-W) is fitted with a wall wash option, it will direct the beam towards the cable entry side of the luminaire. Align with cable entry side towards target.

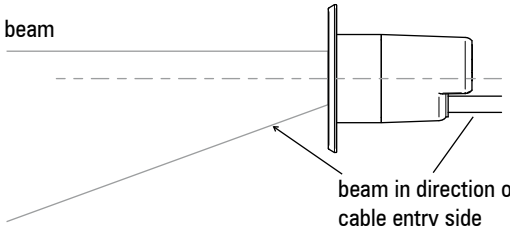


beam

cable entry

beam

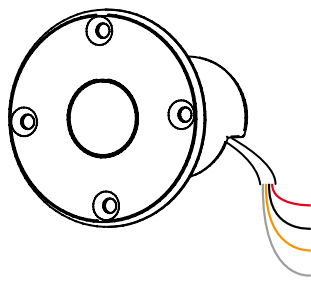
Aiming Example: to direct the beam to wards the floor, in a wall mount application. The cable entry should be at the bottom.



beam

beam in direction of cable entry side

# Wiring Diagram



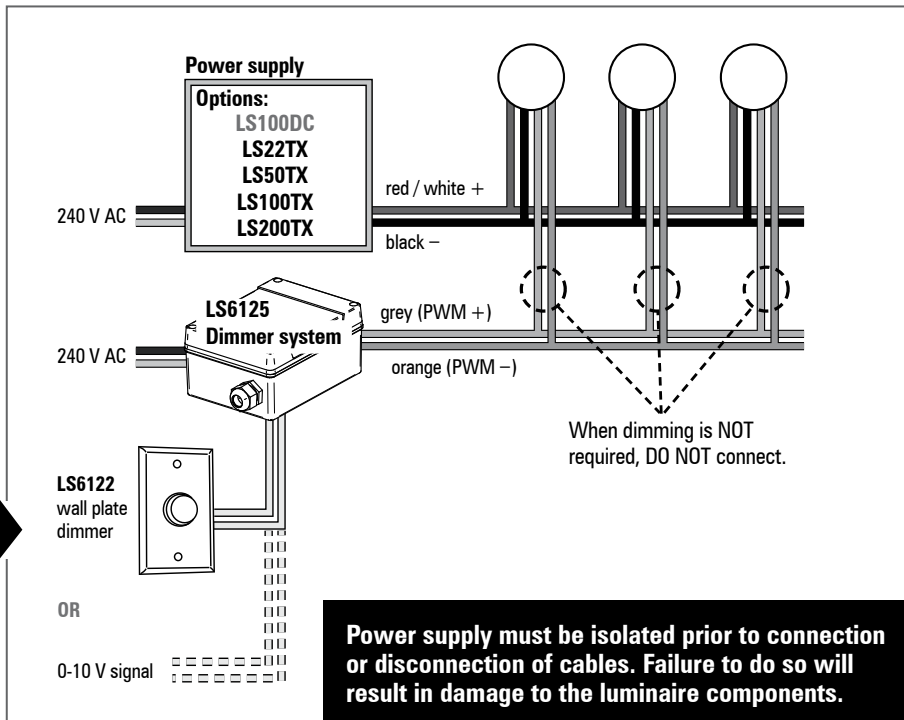
## Single Colour Dimming

Wire Colour	Designation	
	AC	DC
Red or White	AC1	+
Black	AC2	-
Orange <sup>(1)</sup>	PWM + (optional)	
Grey <sup>(1)</sup>	PWM - (optional)	

<sup>(1)</sup> Do not connect if dimming is not required

**NOTE:** If dimming is required use LS6125 PWM to 0-10 V dimming.

**IMPORTANT:** Please note that the PWM dimming signal polarity is reversed with Lumascope's LS6125 and any third party PWM controllers. See diagram on right for details.



**Power supply must be isolated prior to connection or disconnection of cables. Failure to do so will result in damage to the luminaire components.**

## LS9406LED

### Power Supply/ Transformer & Maximum Cable Runs

Wattage (Part Number)	24 V DC Power Supply			12 V AC Magnetic Transformer								
	100W (LS100DC)			100VA (LS100TX)			50VA (LS50TX)			22VA (LS22TX)		
Lumascope Cable	LS604	LS604-6	LS604-10	LS604	LS604-6	LS604-10	LS604	LS604-6	LS604-10	LS604	LS604-6	LS604-10
Cable size	3.3 mm <sup>2</sup>	6 mm <sup>2</sup>	10 mm <sup>2</sup>	3.3 mm <sup>2</sup>	6 mm <sup>2</sup>	10 mm <sup>2</sup>	3.3 mm <sup>2</sup>	6 mm <sup>2</sup>	10 mm <sup>2</sup>	3.3 mm <sup>2</sup>	6 mm <sup>2</sup>	10 mm <sup>2</sup>
No. of luminaires 100 metre run	26	•	•	6	10	10	4	4	4	2	3	3
No. of luminaires 75 metre run	26	•	•	8	10	12	5	5	8	3	3	4
No. of luminaires 50 metre run	26	•	•	10	12	14	6	8	8	3	4	4
No. of luminaires 25 metre run	26	•	•	14	14	14	8	8	8	4	4	4

• means the maximum number of luminaires can be accommodated on smaller cables.

**NOTE:** DC Power supplies are more efficient than AC transformers. Under no circumstances can an 'electronic' transformer be used, this may damage the product.

## Questions?

Call +61 7 3286 2299

Email [sales@lumascope.com.au](mailto:sales@lumascope.com.au)

[www.lumascope.com.au](http://www.lumascope.com.au)

## SAFETY INSTRUCTIONS

### WARNING - To reduce the risk of FIRE or INJURY:

1. Luminaires and transformers to be installed by licensed electrical contractors.
2. Luminaires to be used for intended purpose only.
3. Do not operate the luminaires with a missing or damaged parts.
4. Use only genuine Lumascope parts to replace damaged or missing components.
5. Refer to instructions for installation and operating requirements.
6. Ensure installation complies with local regulations

**Voltage insulation test (megger) will permanently damage product and will void warranty.**

**SAVE THESE INSTRUCTIONS.**