



The LS6125-3 translates standard 0-10 V control signal to PWM (Pulse Width Modulation) to control a range of Lumascape PWM compatible luminaires. Connect to any compatible 0-10 V dimmer to achieve dimming.

### Electrical

<b>Input Voltage</b>	220-240 Vac, 50 Hz (International) 120/277 Vac, 60 Hz (North America)
<b>Rating</b>	20 W / 0.83 A
<b>Output</b>	24 Vdc PWM 300Hz
<b>Output Circuits</b>	1

### Control

<b>Dimming Options</b>	0-10 V
------------------------	--------

### Physical

<b>Housing</b>	Die-cast marine-grade aluminum
<b>Weight</b>	2.2 lbs (1.0 kg)

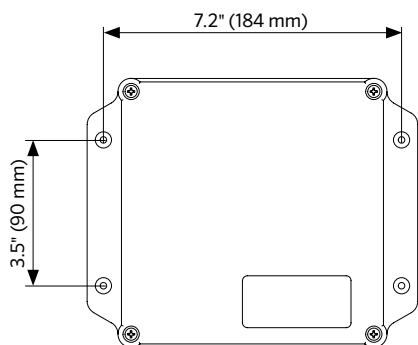
### Certification & Compliance

<b>IP Rating</b>	IP65
------------------	------

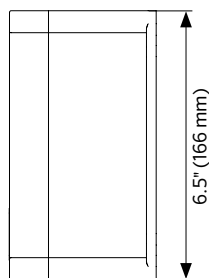


Products and specifications are subject to change without notice.  
LS6125-3-241203

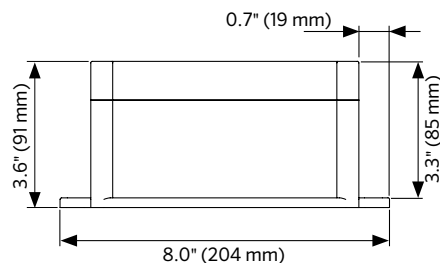
Dimensions



Front View



Side View



Bottom View

Network Topology: Low Voltage 12-24 Vdc

