


INSTALLATION INSTRUCTIONS

LS375LED (6W)

SUBMERSIBLE
MODEL: LS375LED
INPUT VOLTAGE: 12-15 V AC 60 Hz
 Do not install in swimming pools or spas



Warranty void if not installed per instructions and local electrical code

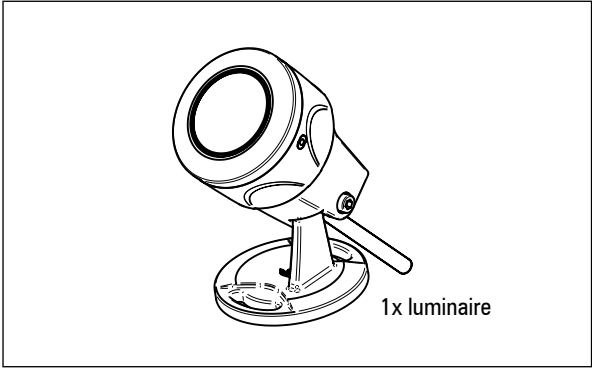
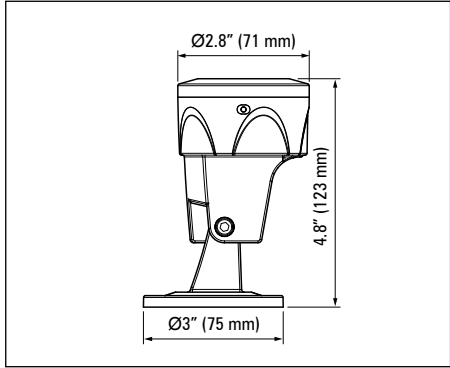
Note: Fixture uses intelligent driver. Always leave on for 20 seconds unless programming.

WARNING

It is strongly recommended to use Lumascape transformer

Opening luminaire will void warranty

Install in accordance with National Electric Code, ANSI/NFPA 70 or the Canadian Electrical Code, Part I (CEC), CSA C22.1

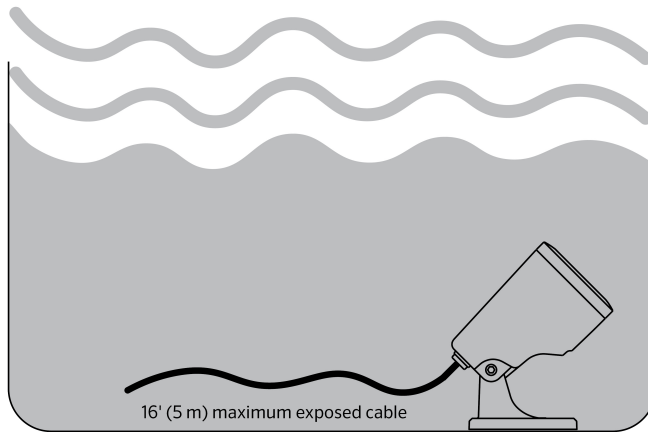
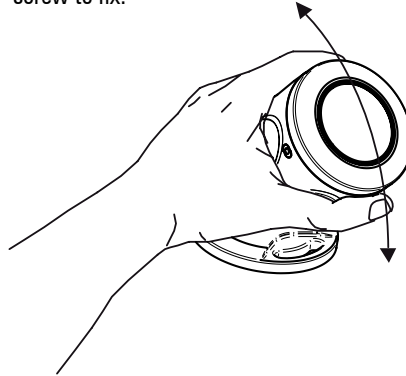


1. Connect luminaire to required power supply / controller.

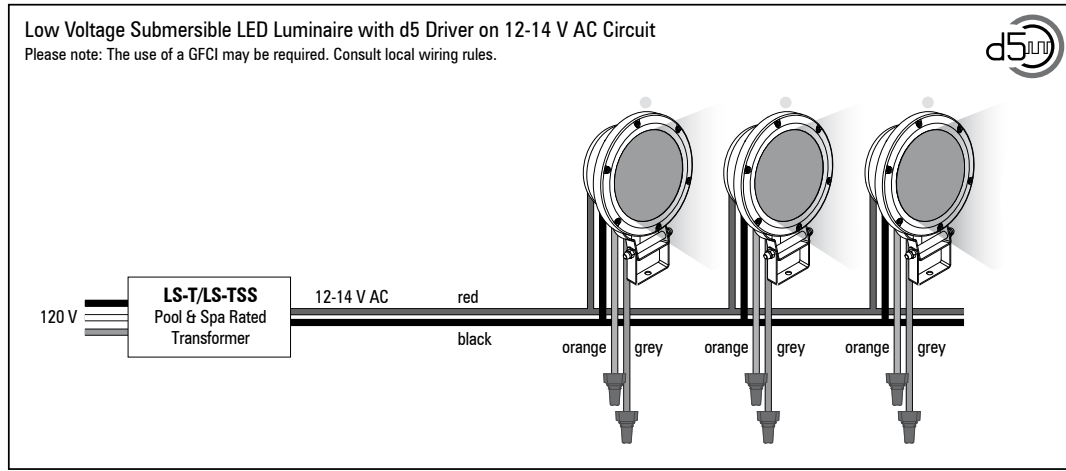


Use 'magnetic' transformers only. The use of an 'AC electronic' transformer may damage the luminaire.

2. Aim luminaire to required angle and tighten screw to fix.



Wiring for Non-Dimming Installations



NOTE: The above diagram is intended to show electrical pathways between luminaires and ancillary devices. This diagram is not intended to show type or color of cord/wire, wire gauge or approved use of the cord/wire supplied with luminaires.

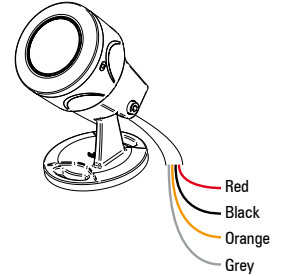
Consult the luminaire-specific cutsheet or the factory for detailed specifications.

IMPORTANT: For instructions on how to fine tune the brightness of the luminaire, refer to instruction sheet IN0059US "How to adjust the brightness for your d5 equipped luminaire". Please note, this capability only applies for luminaires not connected to any other control signal.

Wiring Polarity

red	V +
black	V -
orange	DIM + (connection optional)
grey	DIM - (connection optional)

NOTE: Connect dimming wires only if needed. Otherwise isolate.



Cord 20 gauge (0.5 mm²)

Wiring for Dimming Configurations

Please refer to the appropriate wiring diagram for information on required system components and connectors.

Dimmable Wiring Diagram Reference

Input Voltage	LED Color	Control Type	Wiring Diagram
13-DIM	Single Color	PWM	5