



The Erden E4 Foundation is a medium-powered in-ground that combines technology and performance in a modern form factor. Packed with features including **EasyGlow™** visual comfort and **CoolDrive™** thermal management technologies. Available in DALI, 0-10 V dimming or non-dimmable configurations.

Performance

Static White & Color ¹	Lumen Output (lm)	Efficacy (lm/W)	Peak Intensity (cd)
● 2,700 K (80 CRI)	1,570	88	35,100
● 3,000 K (80 CRI)	1,710	95	38,200
○ 3,500 K (80 CRI)	1,780	99	39,800
● 4,000 K (80 CRI)	1,850	103	41,400
● 5,000 K (70 CRI)	1,710	95	38,200

¹ Lumen output values are based on a 10° lens.

Beam Angles	10°, 13°, 20°, 26°, 47°, 10° x 40° 40° x 10°, 20° x 60°, 60° x 20°
--------------------	--



Products and specifications are subject to change without notice.
LS3042-221028

Electrical

LED Power	17 W
Power Consumption	18 W
Lifetime	>60,000 hrs (B10, L70, TM21)
Input Voltage	International 220-240 Vac, 50 Hz North America 120/277 Vac, 60 Hz
Earth Leakage	<0.15 mA @ 120 Vac, 0.17 mA @ 240 Vac, <0.15 mA @ 277 Vac
Thermal Management	CoolDrive™ onboard thermal monitoring and control

Control

Protocols	DALI® 2 (International), 0-10 V (North America), Non-Dimmable
------------------	---

Physical

Housing	Marine-grade 316 stainless-steel housing, high-strength glass, teflon coated cover screws and marine-grade 316 stainless steel cover (polished or brushed finish).
Finish	Pre-Installation Blockout for concrete pour, drive-over and general use applications Mounting Collar for decks and grates Tall Tube for uplighting effect in vegetation areas Direct Burial for landscapes, planters and special applications
Mounting Accessories	LS644-K Pre-Installation concrete blockout LS644-2 Mounting collar for decks and grates (International only)
Adjustable	-5° to +20° tilt, 360° rotation
Ambient Operating Temperature	-4°F to 122°F (-20°C to 50°C)
Surface Temperature	≤149°F (65°C)
Weight	8.8 lbs (4.0 kg)
Drive-Over	With OptiClear lens and pre-installation kit (LS644-K)

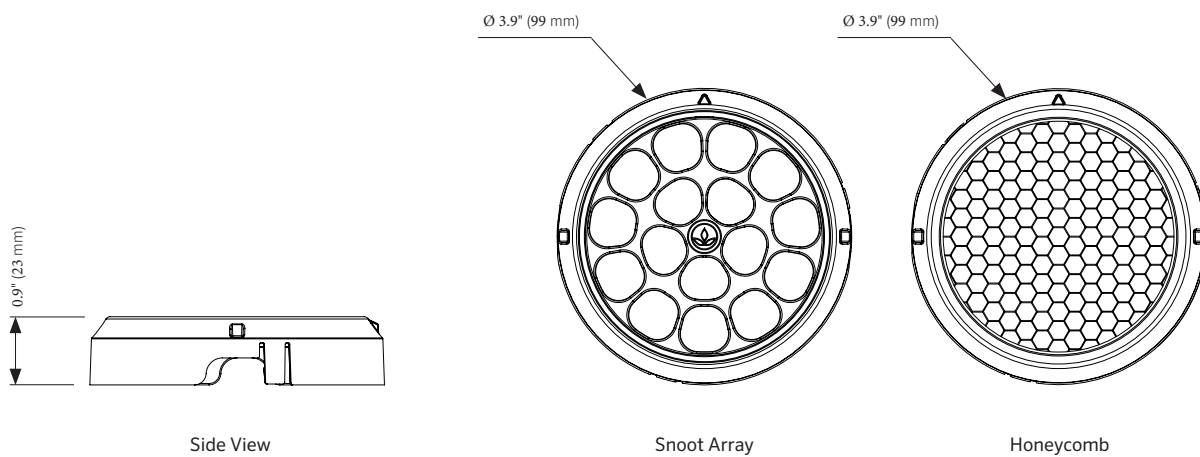
Certification & Compliance

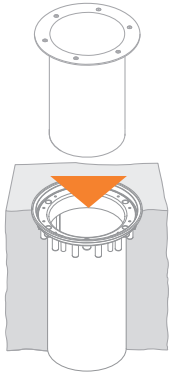
IP Rating	IP68
IK Rating	IK10
Static Load Rating	3,968 lbs (1,800 kg)
Environment	Dry, Damp, Wet locations Inherently protected Suitable for use in poured concrete
Certifications	ETL, CE, RCM

Accessories



Technical Drawings



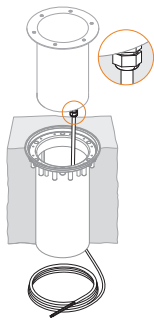


Pre-Installation

This type of installation requires the **LS644-K Pre-Installation Kit** (ordered separately), which acts as a concrete blockout and is intended for installation before the luminaire. This method ensures the luminaire itself is not damaged during concreting or other site works.

Used for	Drive over applications General use applications Concrete pour applications where luminaire is to be installed after site work has been completed.
Benefits	Easy removal for servicing
Restrictions	Connection Type 82 only available for North American market
Accessories	LS644-K Pre-Installation Blockout

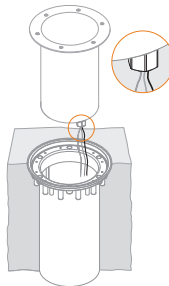
Connection type '84'



Flexible Cable

For connections to the branch circuit via junction box (by others) or other approved method. 6.5' (2 m) length. For other length options, contact Lumascape.

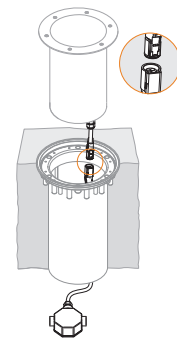
Connection type '82'
North American market only



1/2" NPT Adapter

The luminaire is factory-fitted with 6.5' (2.0 m) hookup wire. Ensure terminations can be made within this length. For other length options, consult Lumascape.

Connection type '77'/'87'

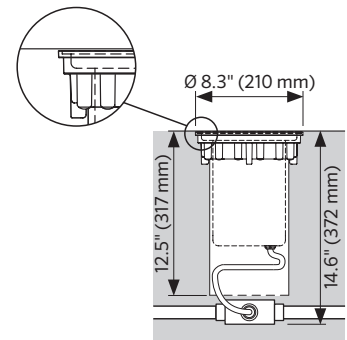


IP68 Connector & Junction Box

The luminaire is fitted with an IP68 connector, which attaches directly to the cable supplied with LS644-K without the use of any tools. The cable is 3' (1 m) in length and is factory assembled with a junction box.

Flush Cover Options

Flush covers for pre-installation use special seals and support bushes to ensure static loads up to 3,968 lbs (1,800 kg) are properly supported. In order to achieve this drive-over rating, OptiClear or GripGlass must be used.



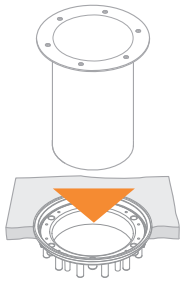
Pre-Installation Blockout Round Flush Cover

- SS316: Polished
- SS316: Brushed

Specification

Use the table below to specify your Pre-Installation Blockout.

LS644-K	-				
Connection Type		Code			
Flexible cable, single entry, for hardwired installations (International) or Hookup wire and 1/2" NPT (82), single entry, for hard wired installations (North America only)		84			
Flexible cable, single entry, for connectorized installations (non-dimming applications only)		87			
Flexible cable, single entry, for connectorized installations		77			
			Input Voltage	Code	
			220-240 Vac, 50 Hz (International)	01	
			120/277 Vac, 60 Hz (North America)	09	
			Input Voltage	Code	Control
			220-240 Vac, 50 Hz (International)	01	DALI (International)
			120/277 Vac, 60 Hz (North America)	09	0-10 V (North America)
					Code
					DL
					AH



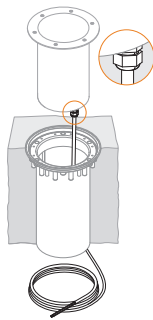
Mounting Collar for Decks and Grates

This type of installation requires the LS644-2 Mounting Collar (ordered separately), which supports the installation in decks, grates and hollow floors with sufficient ventilation.

Not available in North America.

Used for	Decks and grates Hollow floors with sufficient ventilation
Benefits	Easy installation in decks, grates and hollow floors
Restrictions	Connection Type 84 only available for International market
Accessories	LS644-2 Mounting Collar

Connection type '84'



Flexible Cable

For connections to the branch circuit via junction box (by others) or other approved method. 6.5' (2 m) length. For other length options, contact Lumascape.

Flush Cover Options

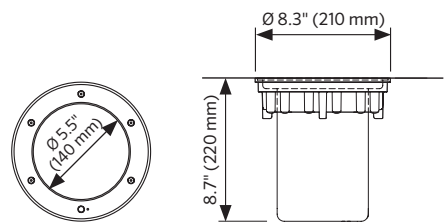
Flush covers for mounting collar use special seals and support brushes.

Not suitable for use in North America.



Pre-Installation Blockout Round Flush Cover

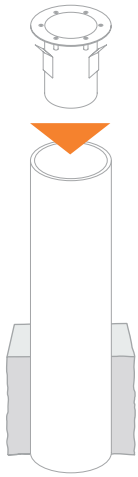
- SS316: Polished
- SS316: Brushed



Specification

Use the table below to specify your Mounting Collar.

	LS644-2
Connection Type	Code
Mounting Collar for use with hard wire connections only	LS644-2



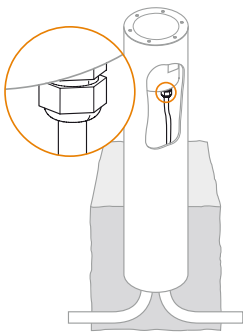
Tall Tube

This type of installation requires North American 8" schedule 40 conduit (not included), in situations where foliage may overgrow, flush in-ground luminaires over time, where a high water table is of concern or other scenarios where this type of mounting method is appropriate.

Suitable for use in North America Only

Benefits	Easy installation into concrete
Restrictions	Only available with Connection Type 84 in North America Only Not easy to remove for service (requires removal tool) Not suitable for drive-over applications

Connection type '84'



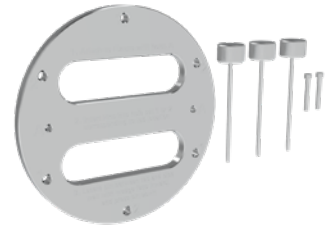
Flexible Cable

For connections to the branch circuit via junction box (by others) or other approved method. 6.5' (2 m) length. For other length options, contact Lumascape.

Luminaire Removal Tool

This removal tool allows for easy removal of the lid on the luminaire installed into a tall tube. Comes complete with plate, three (3) pins and two (2) screws. Ordered separately.

Suitable for use in North America Only



	LS6251
Accessory	Code
Luminaire Removal Tool	LS6251

Specification

For installation into North American 8" schedule 40 conduit (not included).

Suitable for use in North America Only

Flush Cover Options

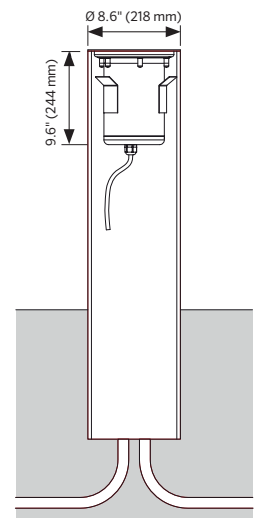
Flush covers for mounting collar use special seals and support brushes.

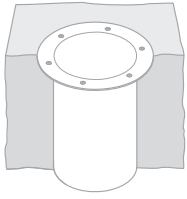
Suitable for use in North America Only



Pre-Installation Blockout Round Flush Cover

- SS316: Polished
- SS316: Brushed
- Powder-coat, Black



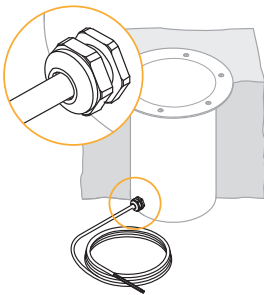


Direct Burial

Luminaire is put directly into soil or concrete.

Used for	Landscaping areas Applications where depth is restricted Rate for use in concrete pour applications Economical option
Benefits	Allows for maximum heat dissipation
Restrictions	Not as easy to remove for service as pre-install version Not suitable for drive-over (requires pre-installation) Not available for Connection Type 77 or 87 (requires pre-installation) Connection Type 82 only available for North American market.

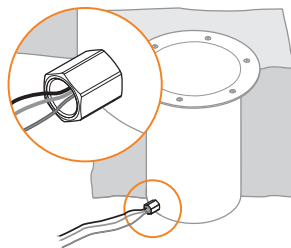
Connection type '84'



Flexible Cable

For connections to the branch circuit via junction box (by others) or other approved method. 6.5' (2 m) length. For other length options, contact Lumascape.

Connection type '82'
North American market only

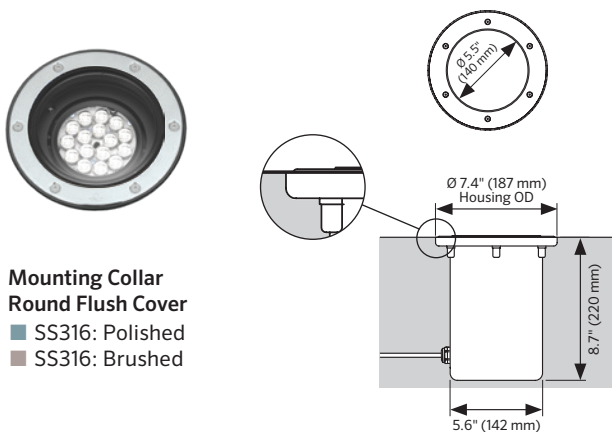


1/2" NPT Adapter

The luminaire is factory-fitted with 6.5' (2 m) hookup wire. Ensure terminations can be made within this length. For other length options, consult Lumascape.

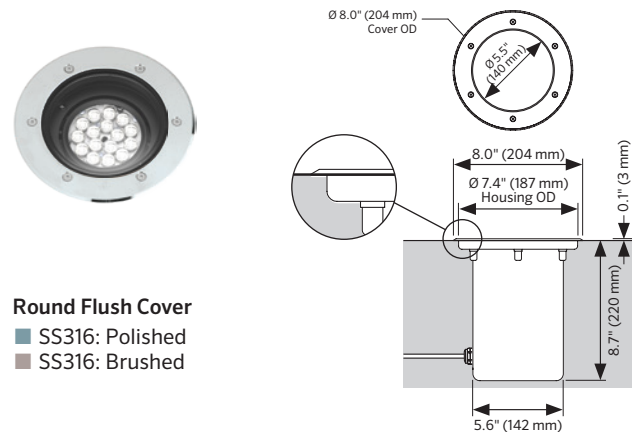
Recessed Cover Options

Use recessed cover for installation in soil, grass, pavers and other uneven surfaces where no cover overhang is required.

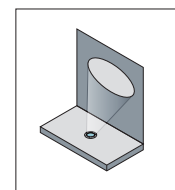
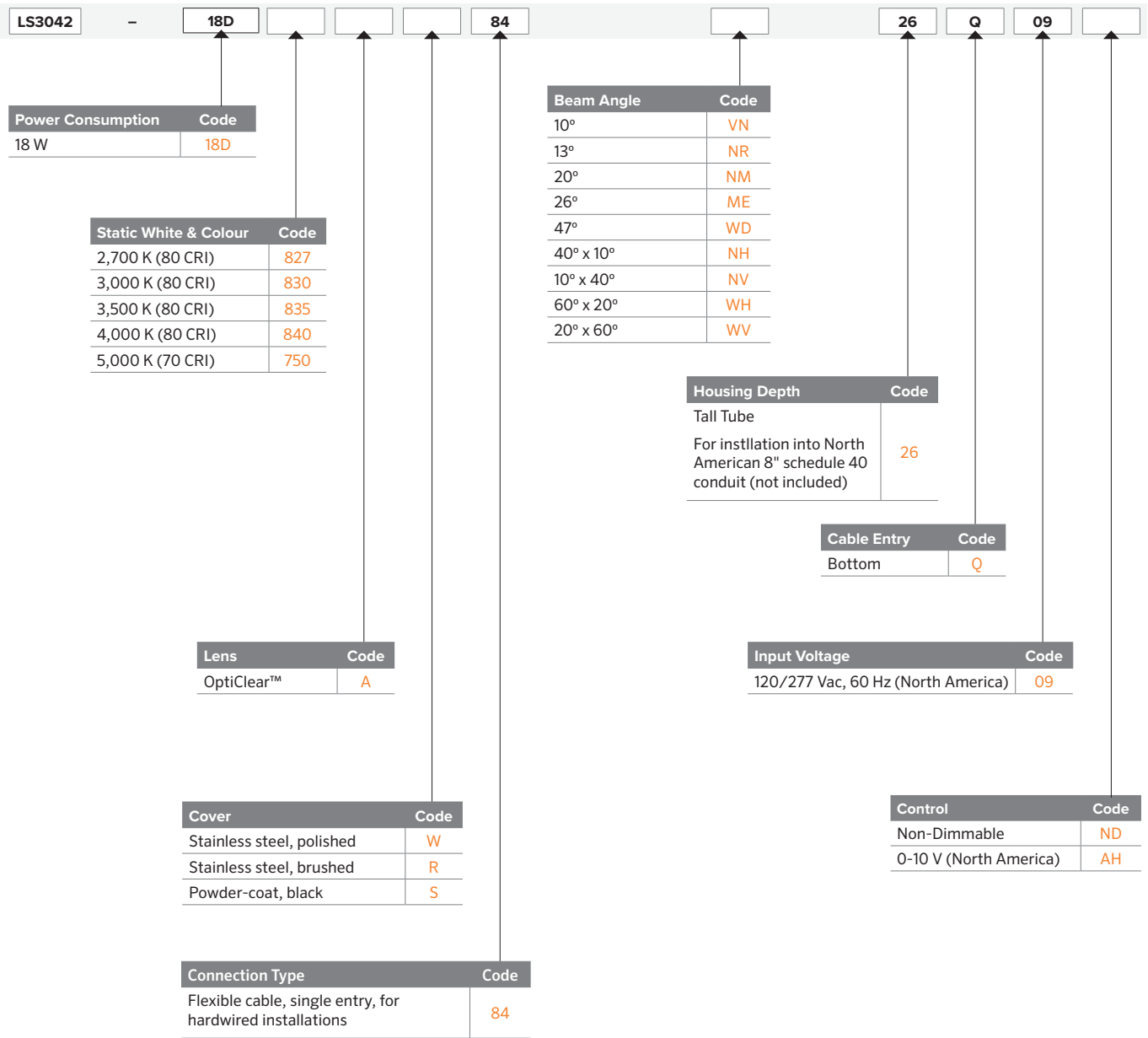


Flush Cover Options

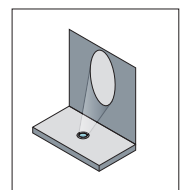
Use flush covers for installation in fine finished surfaces such as granite and marble. Can also be used in some suspended applications to conceal gaps between the luminaire and the surrounding surface.



Tall Tube Specification – North American Only

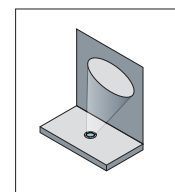
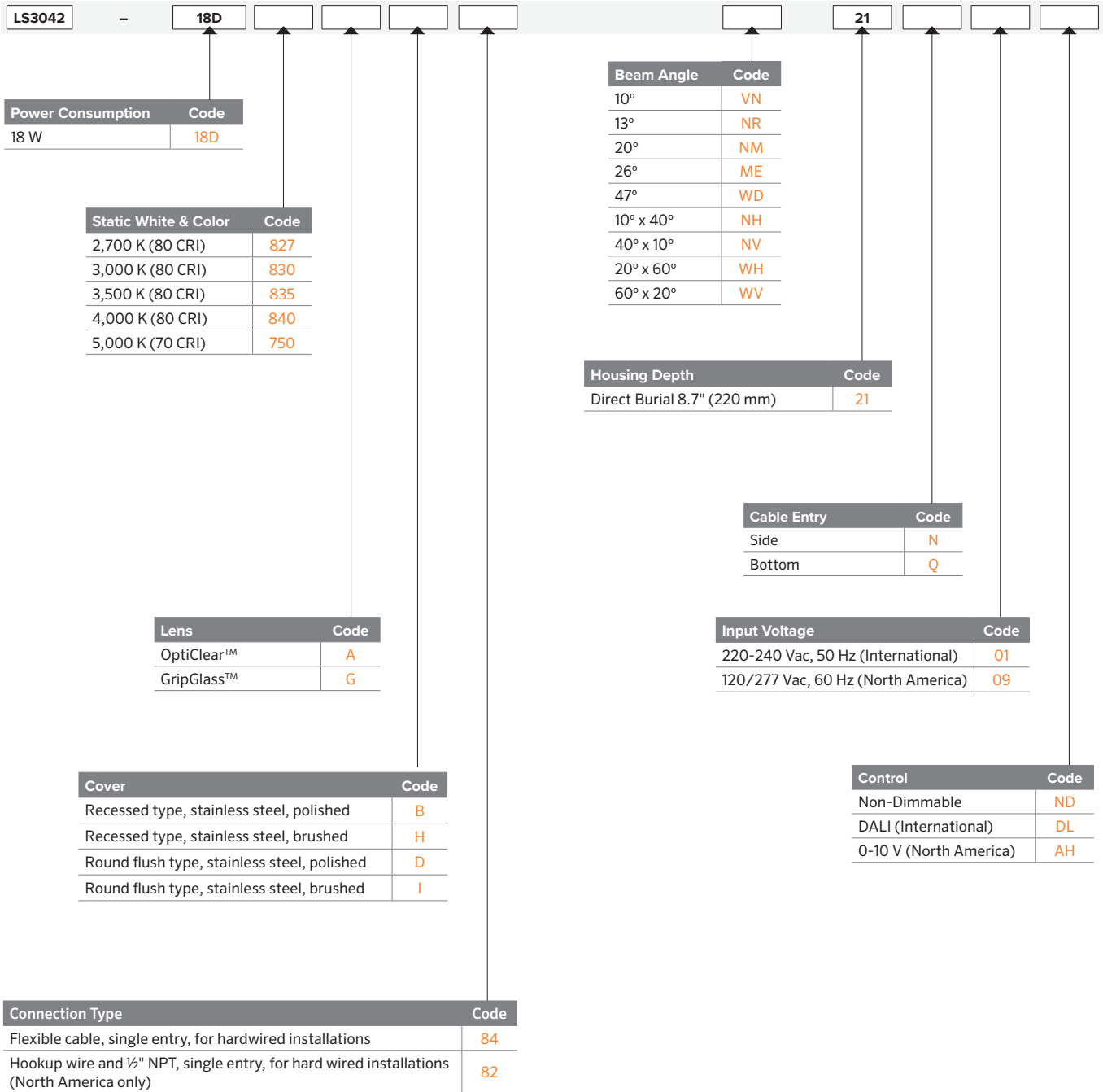


Beam Orientation for the "NH" and "WH" optical system

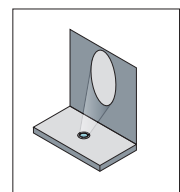


Beam Orientation for the "NV" and "WV" optical system

Direct Burial Specification Matrix

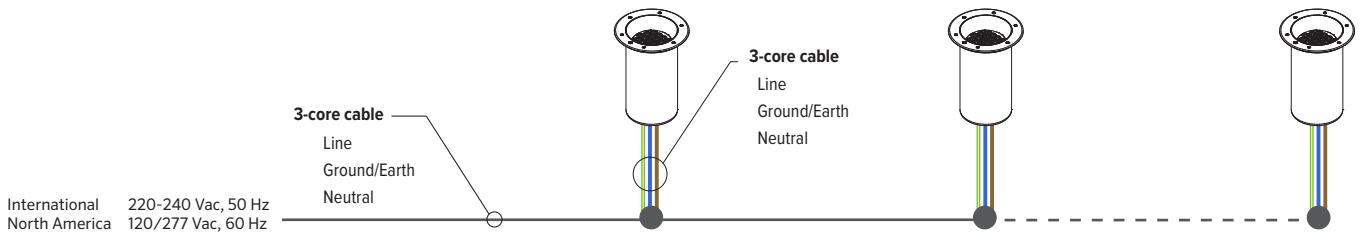


Beam Orientation for the "NH" and "WH" optical system

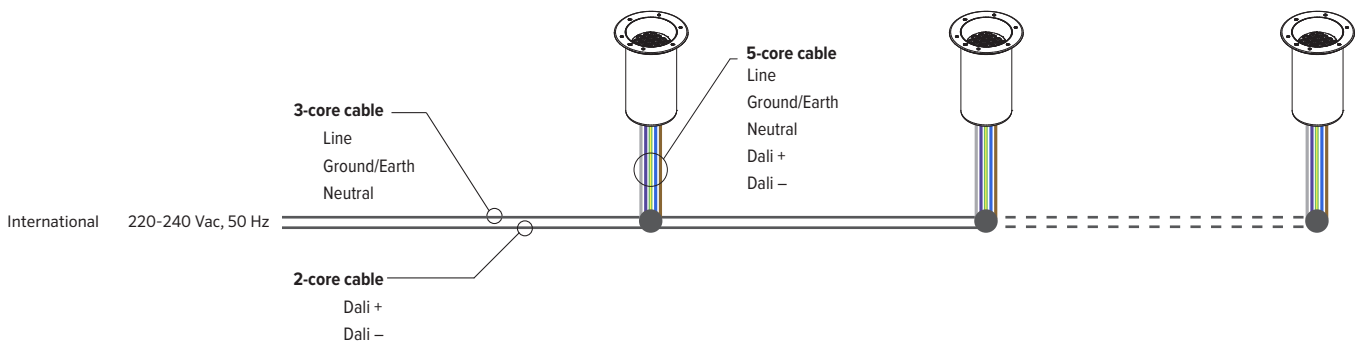


Beam Orientation for the "NV" and "WV" optical system

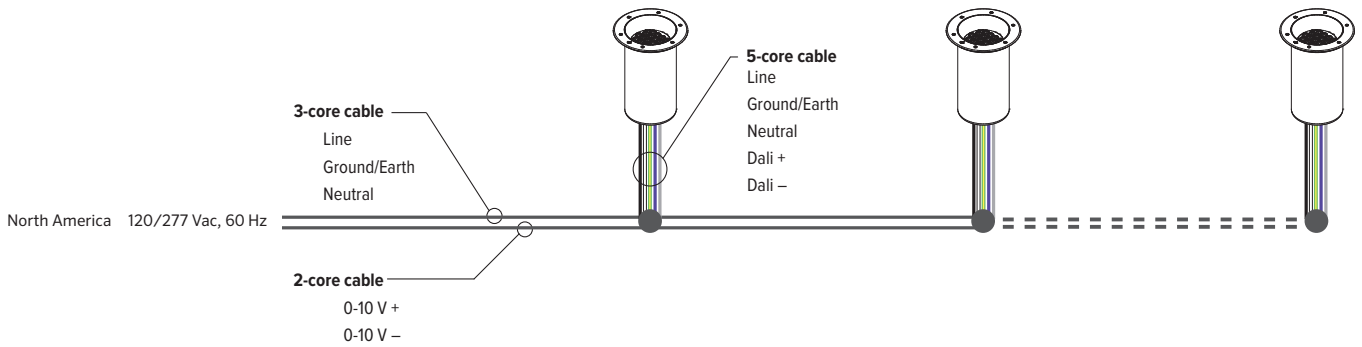
Network Topology – Line Voltage 220-240 Vac, 120/277 Vac Non-Dimmable



Network Topology – Line Voltage 220-240 Vac DALI



Network Topology – Line Voltage 120/277 Vac 0-10 V

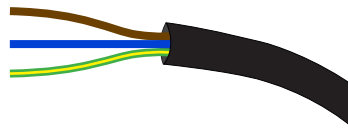


NOTE:
For all luminaire wire colors and designations see page 12.

Luminaire Wire Colors & Designations

Non-Dimmable Line Voltage 220-240 Vac - International

Designation	Color
Line	Brown
Neutral	Blue
Ground/Earth	Green / Yellow



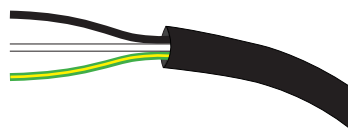
DALI Line Voltage 220-240 Vac - International

Designation	Color
Line	Brown
Neutral	Blue
Ground/Earth	Green / Yellow
DALI +	Grey
DALI -	Black



Non-Dimmable Line Voltage 120/277 Vac - North America

Designation	Color
Line	Black
Neutral	White
Ground/Earth	Green / Yellow



0-10 V Line Voltage 120/277 Vac - North America

Designation	Color
Line	Black
Neutral	White
Ground/Earth	Green / Yellow
0-10 V +	Purple
0-10 V -	Pink or Grey

