



The most compact and versatile, remote driver surface mounted luminaire in its class, featuring a light output and energy efficiency surpassing 35 W Metal Halide. Packed with features including **EasyGlow™** visual comfort and **CoolDrive™** thermal management technologies. The height of the luminaire allows the light head to stand above vegetation for an unobstructed cast of light. Available with integrated Dali control, 0-10 V dimming or as non-dimmable.

Performance

Static White & Color ¹	Lumen Output (lm)	Efficacy (lm/W)	Peak Intensity (cd)
● 2,700 K (80 CRI)	2,080	89	45,400
● 3,000 K (80 CRI)	2,270	97	49,400
○ 3,500 K (80 CRI)	2,360	101	51,400
● 4,000 K (80 CRI)	2,450	105	53,400
● 5,000 K (70 CRI)	2,270	97	49,400

¹ Lumen output values are based on a 10° lens.

Beam Angles	10°, 13°, 20°, 26°, 47°, 10° x 40° 40° x 10°, 20° x 60°, 60° x 20°
--------------------	--



Electrical

LED Power	22 W
Power Consumption	24 W
Lifetime (L70)	>60,000hrs (B10, L70, TM21)
Input Voltage	International 220-240 Vac, 50 Hz North America 120/277 Vac, 60 Hz
Earth Leakage	0.16 mA @ 240 V (CE)
Thermal Management	CoolDrive™ onboard thermal monitoring and control.

Control

Protocols	Dali 2 ¹ , 0-10 V ² , Non-Dimmable
------------------	--

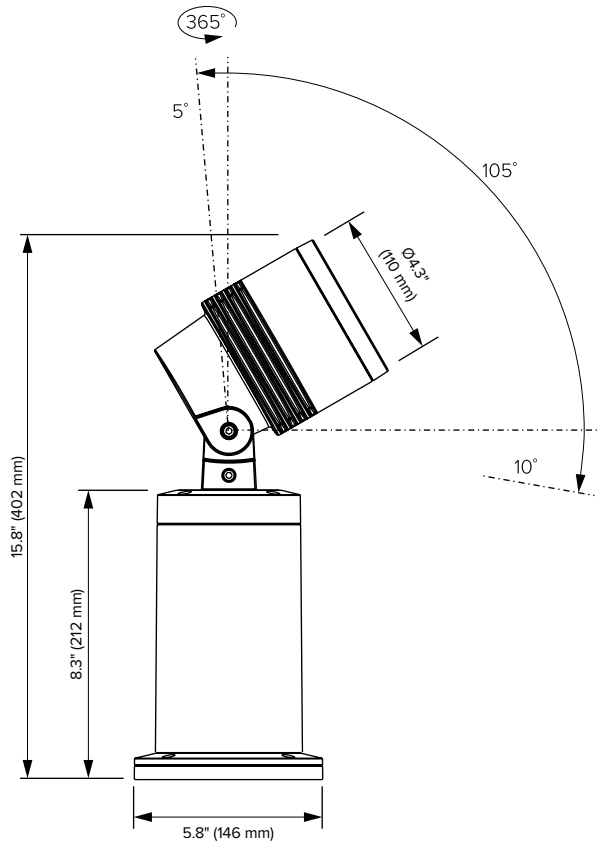
¹ International Market Only² North American Market Only**Physical**

Housing	Die-cast marine grade aluminum with tempered glass lens
Finish	Superior 9-step powdercoating process, including marine-grade epoxy undercoat and polyester top coat
Installation	Surface-mounted
Adjustable	Constant torque adjustable luminaire head
Ambient Operating Temperature	-40 °F to 122 °F (-40 °C to 50 °C)
Surface Temperature	≤138 °F (59 °C)
Weight	4.5 lbs (2.0 kg)
Effective Projected Area	1.1 ft ² (0.1 m ²)

Certification & Compliance

IP Rating	IP66 / IP67 (Passes IP68 Test)
IK Rating	IK7
Environment	Dry, Damp, Wet locations
Certifications	ETL, CE, RCM

Dimensions



Specification Matrix

LS2022	-	24D						
---------------	---	------------	--	--	--	--	--	--

Power Consumption	Code
24 W	24D

Static White & Colour	Code
2,700 K (80 CRI)	827
3,000 K (80 CRI)	830
3,500 K (80 CRI)	835
4,000 K (80 CRI)	840
5,000 K (70 CRI)	750

Beam Angle	Code
10°	VN
13°	NR
20°	NM
26°	ME
47°	WD
10° x 40°	NH
40° x 10°	NV
20° x 60°	WH
60° x 20°	WV

Input Voltage	Code
220-240 Vac, 50 Hz	01 ¹
120/277 Vac, 60 Hz	09 ²

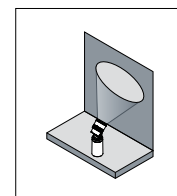
¹ International Market Only
² North American Market Only

Control	Code
Non-Dimmable	ND
Dali	DL ¹
0-10 V	AH ²

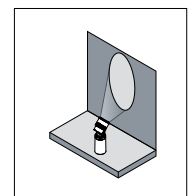
¹ International Market Only
² North American Market Only

Finish	Code
Black	BL
Anthracite Grey	AG
Basalt Grey	BT
Anodic Silver	SL
White	WT
Dark Bronze	DB
Latte	LT
Dark Aluminum	DA
Custom RAL	CC ¹

¹ Please provide RAL colour.



Beam Orientation for the "NH" and "WH" optical system



Beam Orientation for the "NV" and "WV" optical system

Accessories

Shielding & Glare Control

An external glare control accessory suitable for use on the Centria series of luminaires.



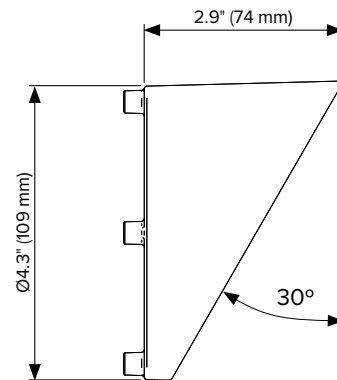
Specification Matrix

LS6104 -

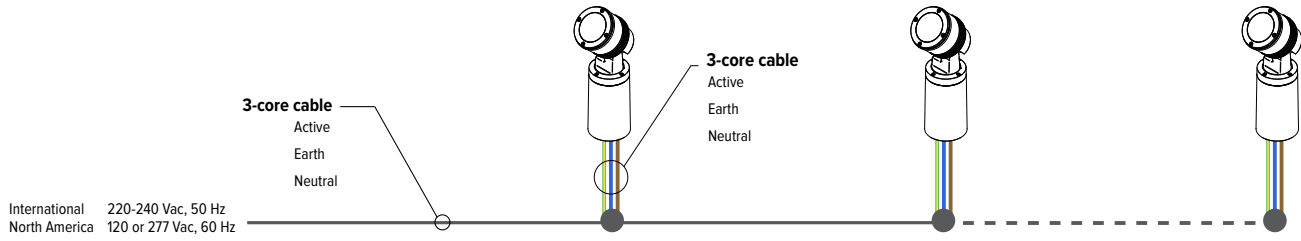
Finish	Code
Black	BL
Anthracite Grey	AG
Basalt Grey	BT
Anodic Silver	SL
White	WT
Dark Bronze	DB
Latte	LT
Dark Aluminum	DA
Custom RAL	CC ¹

¹ Please provide RAL colour.

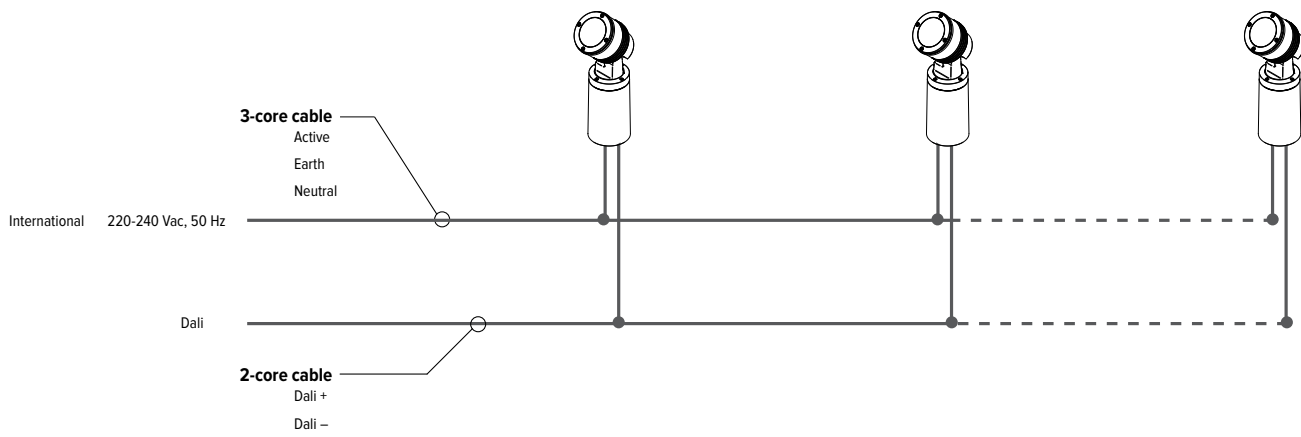
Technical Drawings



Network Topology – Non-Dimmable



Network Topology – DALI



Network Topology – 0-10 V

