



A very-high powered architectural grade spotlight that combines technology and performance in a modern form factor. Packed with features including **EasyGlow™** visual comfort and **CoolDrive™** thermal management technologies. Unique and flexible mounting with glare control accessories enable installation in multiple orientations. Supplied standard with designer optics providing superb color-over-angle consistency. Available as a non-dimming or DALI controlled luminaire.

Over 1 Million Candela

Performance

Static White & Color ¹	Lumen Output (lm)	Efficacy (lm/W)	Peak Intensity (cd)
● 2,700 K (80 CRI)	12,520	95	261,900
● 3,000 K (80 CRI)	13,630	104	285,200
○ 3,500 K (80 CRI)	14,200	108	296,900
● 4,000 K (80 CRI)	14,740	112	308,500
● 5,000 K (70 CRI)	13,630	104	285,200

¹ Lumen output values are based on a 10° lens.

4.5° BEAM ANGLE (VN OPTION)

Static White & Color ²	Lumen Output (lm)	Efficacy (lm/W)	Peak Intensity (cd)
● 2,700 K (80 CRI)	9,240	78	908,000
● 3,000 K (80 CRI)	10,060	85	988,700
○ 3,500 K (80 CRI)	10,470	89	1,029,000
● 4,000 K (80 CRI)	10,880	92	1,069,400
● 5,000 K (70 CRI)	10,060	85	988,700

² Lumen output values are based on a 4.5° lens.

Beam Angles	4.5°, 5°, 10°, 18°, 30°, 45°, 60°, 10° x 40°, 40° x 10°, 10° x 60° 60° x 10°, 20° x 40° 40° x 20°, 20° x 60°, 60° x 20°
--------------------	---



Electrical

LED Power	118 W ¹ , 130 W
Power Consumption	119 W, 132 W
Lifetime (L70)	> 60,000 hrs (B10, L70, TM21)
Input Voltage	220-240 Vac, 50 Hz
Earth Leakage	0.48 mA @ 240 Vac
Thermal Management	CoolDrive™ onboard thermal monitoring and control

¹ Available on very narrow (VN) beam angle option

Control

Protocols	Non-dimming, DALI
------------------	-------------------

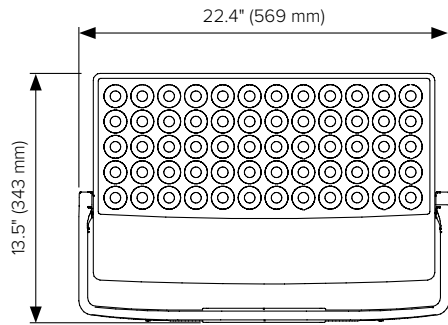
Physical

Housing	Marine-grade die-cast aluminum, tempered glass lens, isolated stainless steel fasteners, adjustable mounting yoke (lockable) with mounting surface galvanic isolator.
Finish	Superior 9-step powder-coating process, including marine-grade epoxy undercoat and polyester top coat
Installation	Surface-mounted with included galvanic isolator
Adjustable	Adjustable mounting yoke
Ambient Operating Temperature	-40 °F to 122 °F (-40 °C to 50 °C)
Surface Temperature	≤138 °F (59 °C)
Weight	15.4 lbs (7.0 kg)
Effective Projected Area	1.2 ft ² (1,142 cm ²)

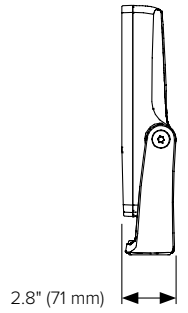
Certification & Compliance

IP Rating	IP66 / IP67 (IP68 tested)
IK Rating	IK9
Vibration Resistance	3G Rating (ANSI C136.31)
Environment	Dry, Damp, Wet locations
Certifications	CE, RCM

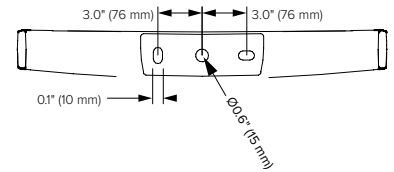
Dimensions



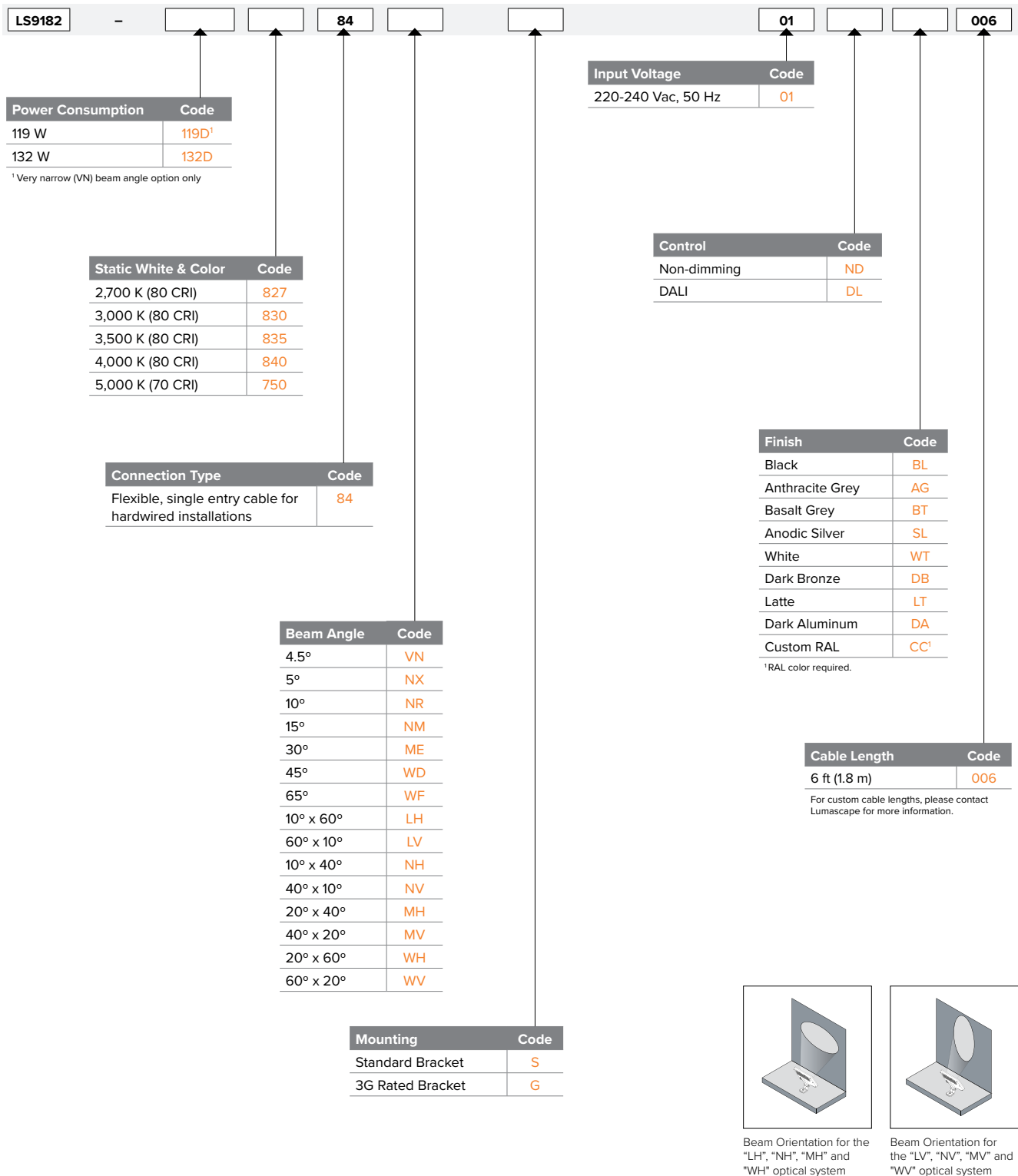
Front View



Side View



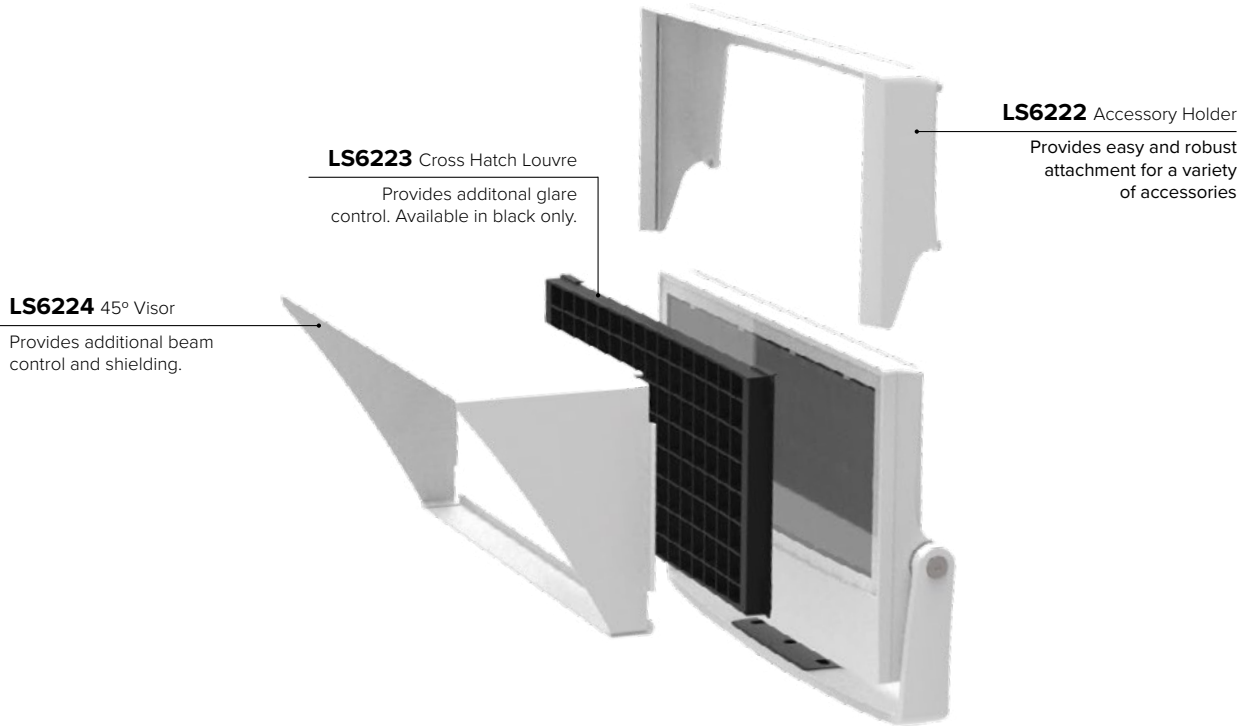
Specification Matrix



Accessories

Shielding & Glare Control

A range of shielding and glare control accessories are available for the Quadralux Q6 Spotlight.



Specification Matrix

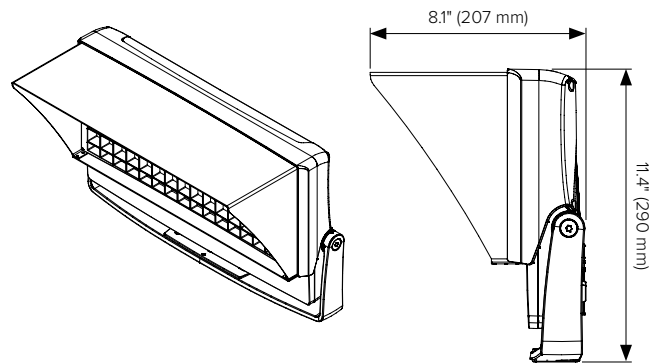
		-	
Louvre Length	Code		Finish
Accessory Holder	LS6222		Black
45° Visor	LS6224		Anthracite Grey
			Basalt Grey
			Anodic Silver
			White
			Dark Bronze
			Latte
			Dark Aluminum
			Custom RAL

Custom Visors are available on request. Contact Lumascape for more information.

Finish	Code
Black	BL
Anthracite Grey	AG
Basalt Grey	BT
Anodic Silver	SL
White	WT
Dark Bronze	DB
Latte	LT
Dark Aluminum	DA
Custom RAL	CC ¹

¹ RAL color required.

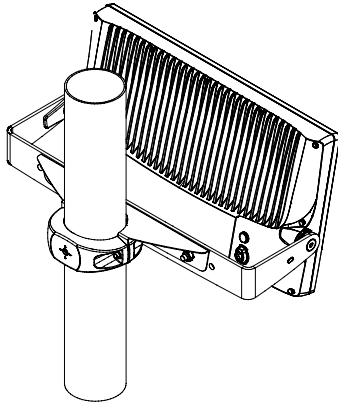
Technical Drawings



Mounting Accessories

Pole Clamp

Provides an easy method of installing the fixture onto a pole, while retaining full aiming and adjustability. Available in 3.0" (76 mm), 4.0" (102 mm), 4.5" (114 mm) and 5.0" (127 mm) options.



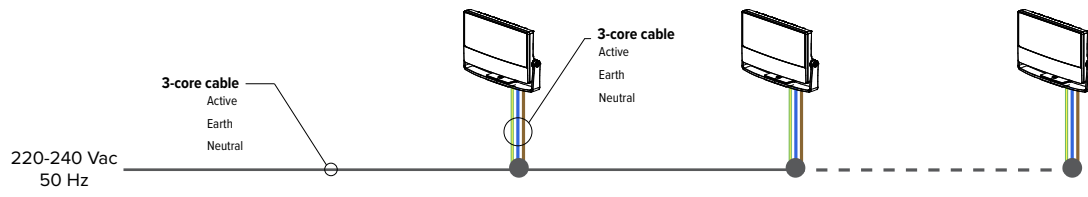
Specification Matrix

Mounting Accessories ¹		Finish	
Code	Code	Code	Code
3.0" (76 mm) Pole Clamp	LS6317	Black	BL
4.0" (102 mm) Pole Clamp	LS6318	Anthracite Grey	AG
4.5" (114 mm) Pole Clamp	LS6319	Basalt Grey	BT
5.0" (127 mm) Pole Clamp	LS6320	Anodic Silver	SL
		White	WT
		Dark Bronze	DB
		Latte	LT
		Dark Aluminum	DA
		Custom RAL	CC ²

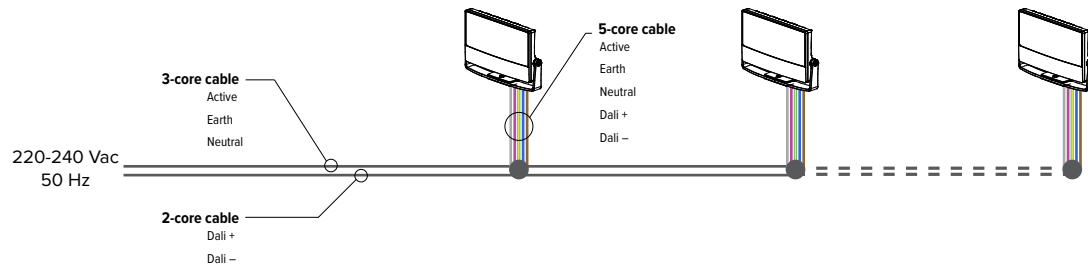
¹Luminaire must be ordered with a 3G rated bracket.

²RAL color required

Network Topology – Non-Dimmable



Network Topology – DALI

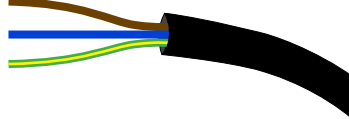


Note:
For all fixture wire colors and designations see page 8.

Fixture Wire Colors & Designations

Non-Dimmable (International)

Designation	Color
Active	Brown
Neutral	Blue
Earth	Green / Yellow



DALI (International)

Designation	Color
Active	Brown
Neutral	Blue
Earth	Green / Yellow
DALI +	Grey
DALI -	Black

