

A recessed, wall-mounted luminaire that provides a powerful and versatile solution for low mounting heights. The unique floor-graze optic reduces the required height of architectural elements to house and install the luminaire. The luminaire’s performance wall optic offers best-in-class uniformity and high output to satisfy difficult municipal codes for egress and way-finding. Short and long shroud faceplate designs to maximize performance in any application. The slim, unobtrusive low-profile design offers minimalist aesthetics to accommodate other elements inside the wall.

Performance

Static White & Color	Lumen Output (lm)	Efficacy (lm/W)	Peak Intensity (cd)
● 2,700 K (80 CRI)	100	28	72
¹ Static white lumen output values are based on 10 W luminaire with a white finish.			
Dynamic Color	Lumen Output (lm)	Efficacy (lm/W)	Peak Intensity (cd)
● RGBW			
Beam Angles	Beam (50%): 75°, Field (90%): 130°		



Electrical

LED Power	3 W
Power Consumption	< 4 W
Lifetime (L70)	> 60,000 hrs (B10, L70)
Input Voltage	12 Vac/dc
Thermal Management	CoolDrive™ onboard thermal monitoring and control

Control

Dimming	3 W only: Phase-dimming (forward or reverse) & Luxor® control
Systems	Range of third-party controllers

Please Note: Some protocols require additional hardware. For more information and other available protocols contact Lumascope.

Physical

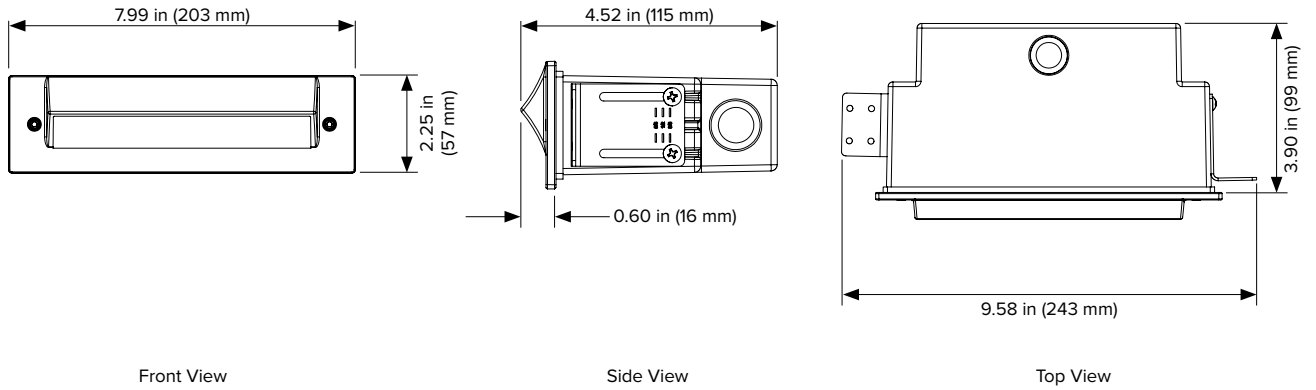
Housing	Die-case aluminium A380 faceplate and housing, polycarbonate construction sleeve with stainless steel hardware.
Faceplate	Die-case aluminium faceplate. Fastener holes located out of site in most installations.
LED	Lumiled ZES
Optics	75° beam angle with 130° field angle. Select either floor graze (FG) or performance wash (PW) optical pattern depending on mounting height. For mounting heights between 2" (50 mm) and 12" (305 mm), select the FG optic. It is recommended to select the PW option for mounting heights above 12" (305 mm). The long shroud (LS) increases the glare protection, with the tradeoff of reducing the forward throw. See .ies files for more information.
Lens	Tempered glass lens with shock resistance and high tolerance for thermal expansion and stress. Glass lens sandblast frosted.
Finish	Two-layer protection of sulfuric acid anodization and polyester TGIC powder-coat, providing superior outdoor weathering in all conditions. Tested to ASTM standards.
Installation	Recessed
Installation Requirements	Housing/sleeve designed for recessed applications in the upward or downward directions only. Mounting kit required for installation and shipped separately.
Mounting Kit	Polycarbonate construction sleeve with vertical and horizontal ½" (12.5 mm) NPT knock-outs. Construction cover included.
Exposed Dimension	Short: 0.62" (16 mm) Long: 0.90" (23 mm)
Ambient Operating Temperature	-13 °F to 140 °F (-25 °C to 60 °C)
Weight	1.8 lbs (0.8 kg)
Effective Projected Area	

Certification & Compliance

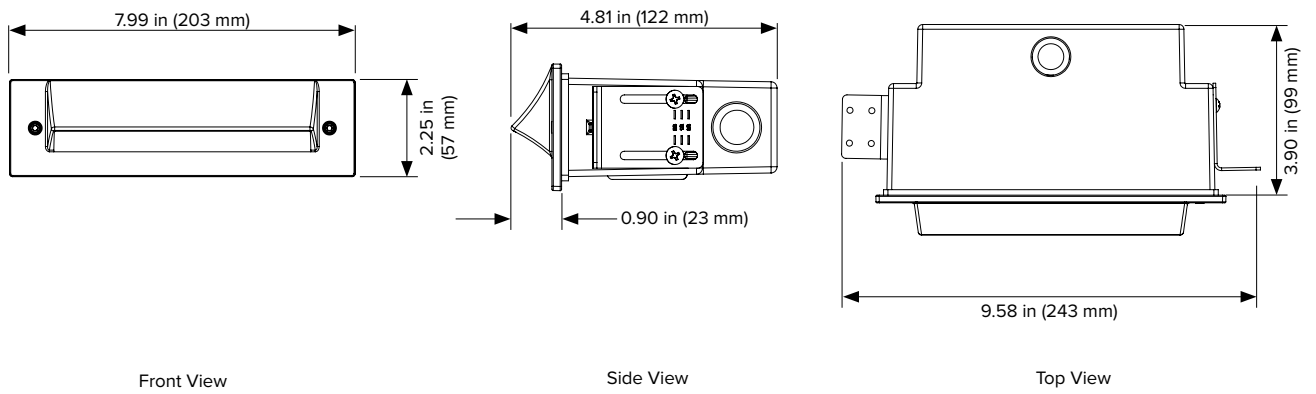
IP Rating	IP66 / IP67
IK Rating	IK9
Environment	Dry, Damp, Wet locations
Certifications	UL, CE, RCM, NOM

Dimensions

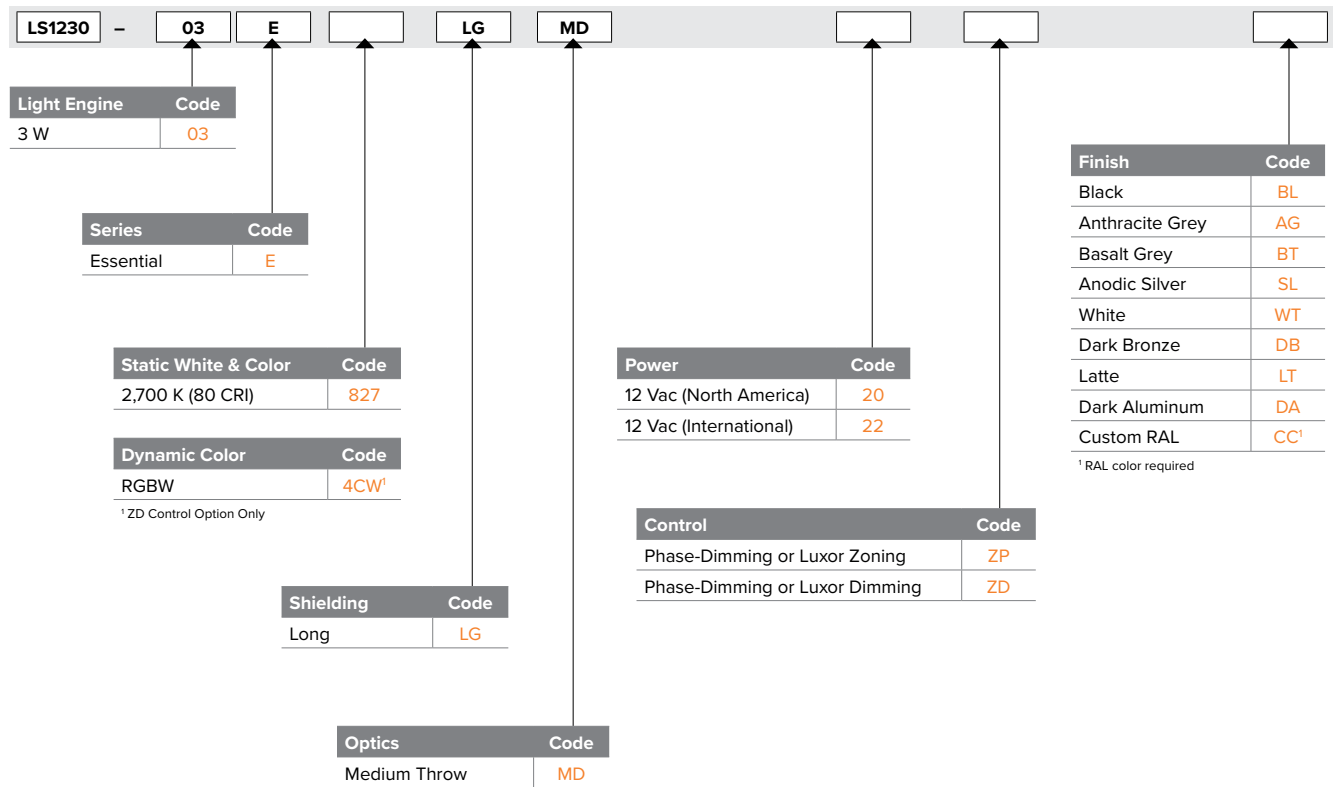
Short Shield



Long Shield



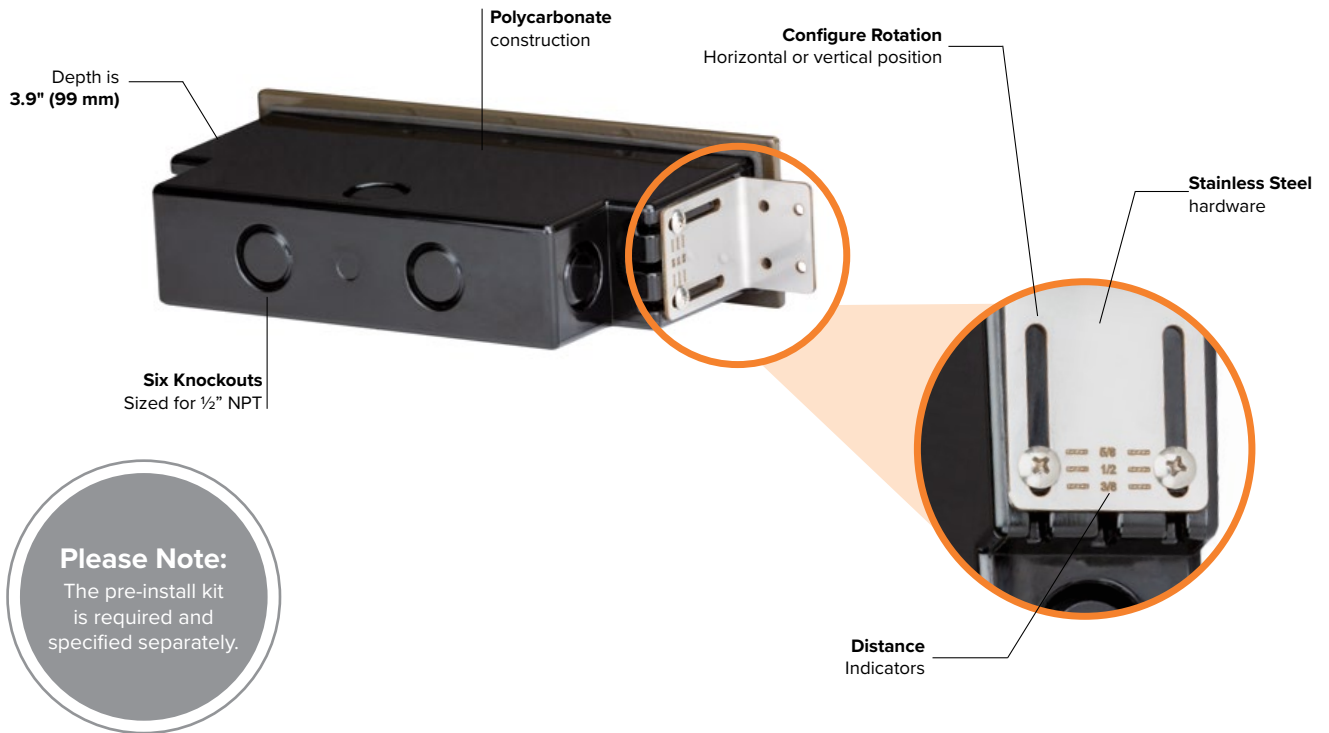
Specification Matrix – Low Voltage



Accessories

Mounting Kit

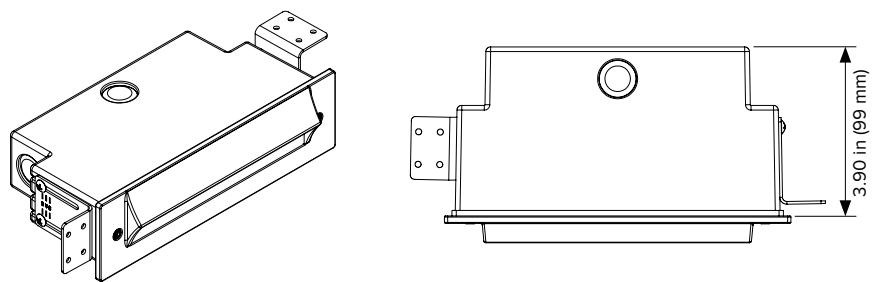
Used for mounting the Bezel BZ2 step light into a wall during pre-installation.



Specification Matrix

LS6331	
Mounting	Code
Pre-Install Kit	LS6331

Technical Drawings



Wire Colors & Designations

Low Voltage – International Market

Designation	Color
Power	Black
Power	Black

