

# Soffito **SF1** Exterior Downlight



An efficient, IP67 high powered LED downlight that is suitable for mounting in external soffits that are exposed to the elements. This luminaire uses the latest in LED technology and is designed to produce an even light distribution. Features include strong and easy-to-use locking clamps that are completely hidden with a snap in outer trim. With its secure and hidden mounting system, snap in outer trim and IK8 rating the LS8950 becomes a vandal resistant fitting.



## Performance

Static White & Colour	Lumen Output (lm)	Efficacy (lm/W)	Peak Intensity (cd)
● 3,000 K (80 CRI)	2,309	80.0	1,625
<b>Beam Angles</b>	75°		

## Electrical

<b>LED Power</b>	26W
<b>Consumption</b>	< 30W maximum
<b>Lifetime (L70)</b>	>60,000hrs (B10, L70, TM21)
<b>Input Voltage</b>	120-240 V, 50/60 Hz

## Physical

<b>Housing</b>	Die cast marine grade aluminium with 6mm OptiClear toughened glass lens
<b>Finish</b>	Powdercoated White
<b>Installation</b>	Recessed
<b>Ambient Operating Temperature</b>	-40°C to 60°C (-40°F to 140°F)
<b>Weight</b>	3.3kg (luminaire only)

## Certification & Compliance

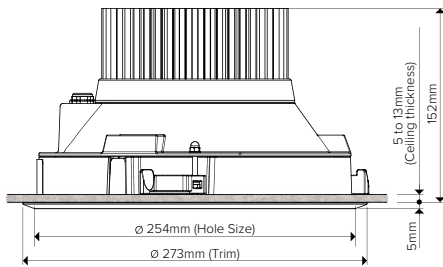
<b>IP Rating</b>	IP66 / IP67
<b>IK Rating</b>	IK 8
<b>Environment</b>	Dry, Damp, Wet locations
<b>Certifications</b>	CE, RCM

Products and specifications are subject to change without notice.

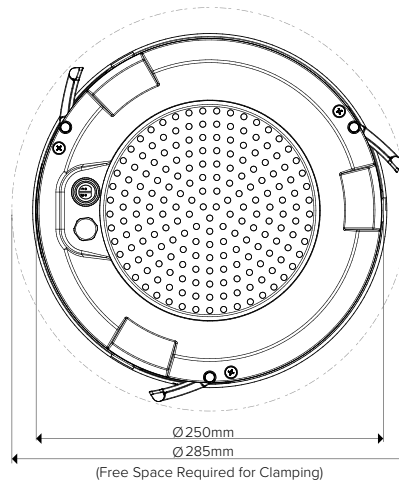
# Soffito SF1 Exterior Downlight



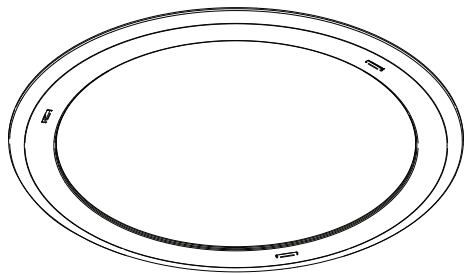
## Technical Drawings



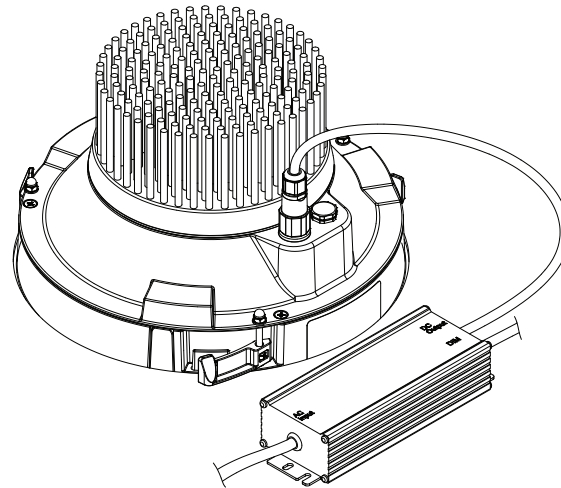
Front View



Bottom View

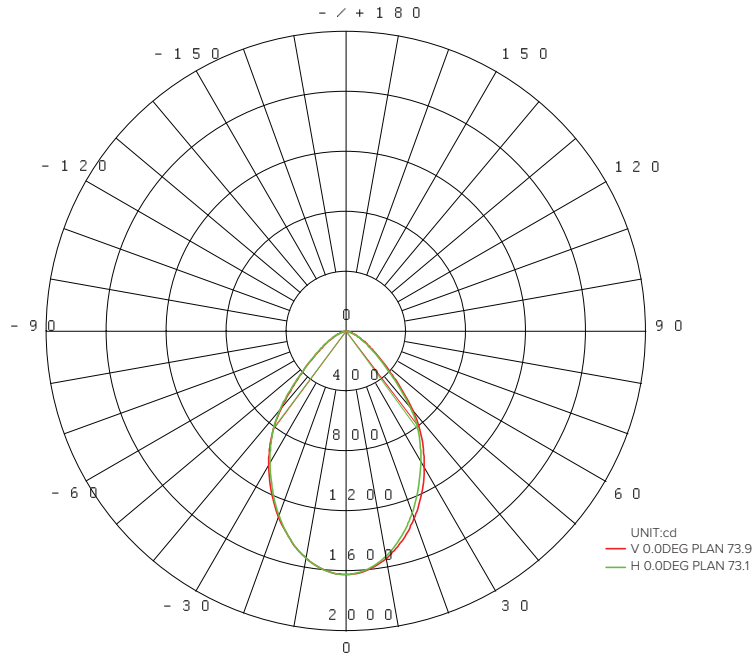


Snap-In Outer Rim

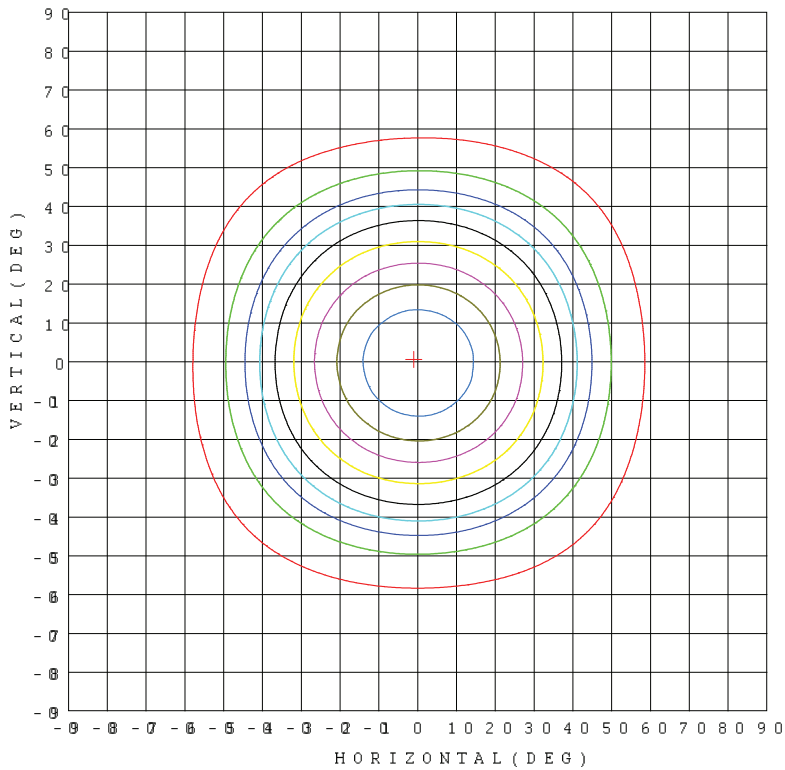


Products and specifications are subject to change without notice.

Photometric Data



AVERAGE BEAM ANGLE (50%) 73.5 DEG

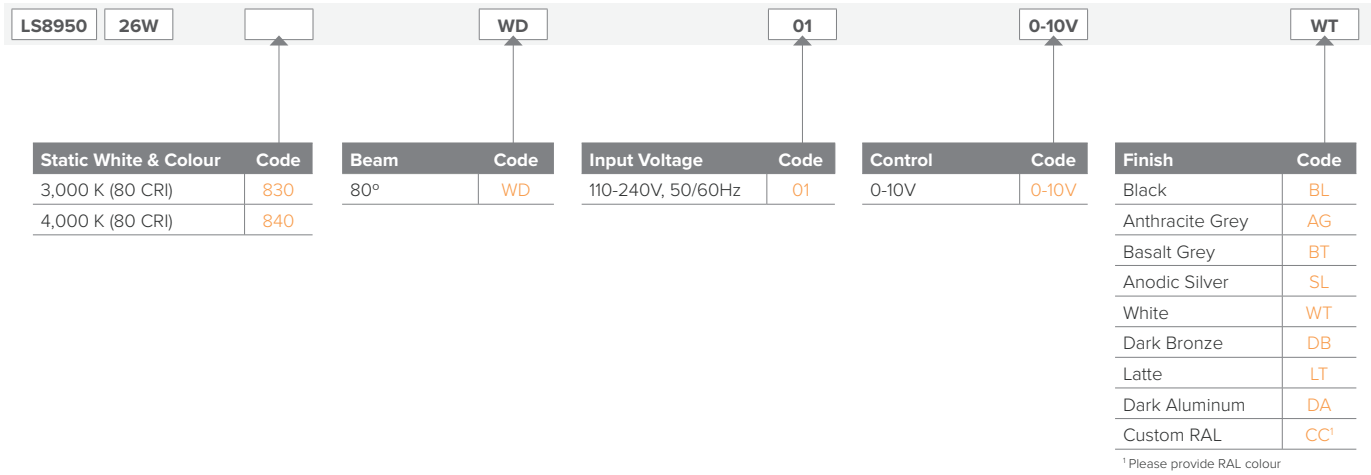


10%	162.5
20%	324.9
30%	487.4
40%	649.8
50%	812.3
60%	974.8
70%	1137
80%	1300
90%	1462

Imax : 1625 ( H - 1.0 , V 0.5 )  
 ( At : C = 210.0 , Gamma = 1.0 )  
 UNIT : cd

Products and specifications are subject to change without notice.

# Soffito SF1 Exterior Downlight



Products and specifications are subject to change without notice.

# Soffito SF1 Exterior Downlight

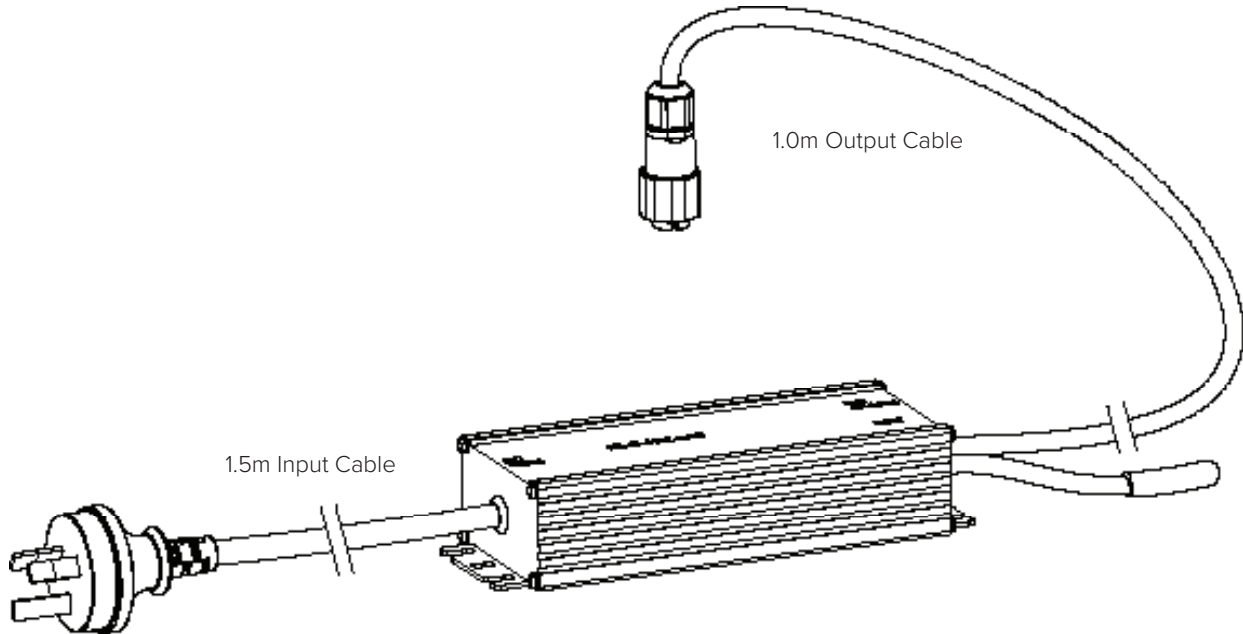


## 40W Constant Current LED Driver

HLG-40H series is a 40W AC/DC LED driver featuring the dual mode constant current output. HLG-40H operates from 90 ~ 305VAC and offers models with different rated voltage ranging between 12V and 54V. Thanks to the high efficiency up to 89.5%, with the fanless design, the entire series is able to operate for -40°C ~ + 80°C case temperature under free air convection. The design of metal housing and IP67/IP65 ingress protection level allows this series to fit both indoor and outdoor applications. HLG-40H is equipped with various function options, such as dimming methodologies, so as to provide the optimal design flexibility for LED lighting system.

### Features Include:

- Constant current mode output
- Metal housing with Class I design
- Built-in active PFC function
- Class 2 power unit
- IP67 / IP65 rating for indoor or outdoor installations
- Function options – output adjustable via potentiometer, 3 in 1 dimming, timer dimming
- Typical lifetime > 60,000 hours



Products and specifications are subject to change without notice.