

## LS582 & LS592: Balitza Mini & Micro (low voltage)

Warranty voided if not installed as per installation instructions

**DANGER**

**ISOLATE LUMINAIRE FROM POWER**

Failure to isolate power supply before installation or maintenance may result in fire, serious injury, electric shock, death and may damage the luminaire.



**WARNING**

Always check luminaire label to confirm correct supply voltage, lamp type and wattage

Installations are to comply with local wiring rules

Luminaires can become hot. Use discretion in placement

Do not mount luminaires on combustible surfaces

Do not use power tools to fasten or assemble luminaire

All connections must be kept dry and free from dirt

Do not hose or pressure clean the luminaire

Luminaires and transformers to be installed by licensed electrical contractors

**IMPORTANT**

To achieve IP66 rating, use round cable (size 5-10 mm) to suit entry gland supplied with fixture

Luminaires to be used for intended purpose only

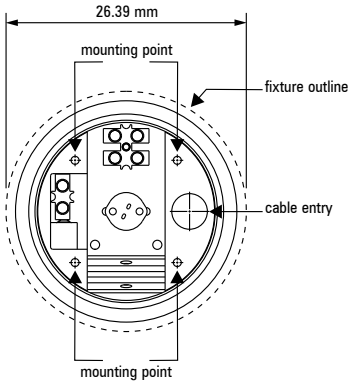
Keep luminaire free of soil, mulch and other loose debris

The luminaire should only be used complete with its protective shield (cover)

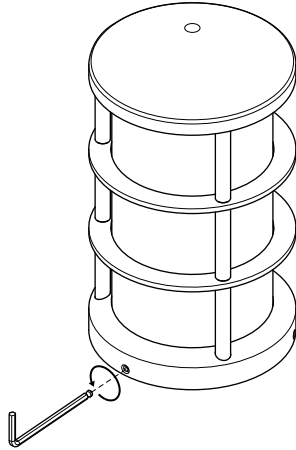
Do not operate the luminaires with a missing or damaged parts

Use only genuine Lumascope parts to replace damaged or missing components

**1. Mark and cast/drill holes**  
 Mark location of fixtures and cable entry/ mounting holes. Refer template over for details. Drill or cast holes as required.

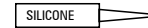


**2. Open fixture**  
 Loosen all three screws at the base of the fixture. Remove lid.



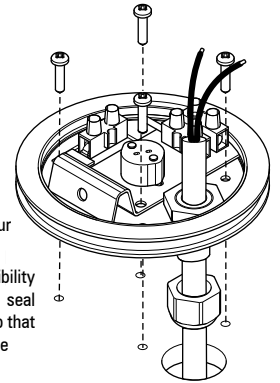
**3. Fit mounting plate**  
 Pull cable through gland and tighten. Connect leads to terminal block and mount base plate to surface with screws provided. Seal with silicone glaze.

⚠ To achieve IP66 rating, use round cable (size 5-10 mm) to suit entry gland supplied with fixture

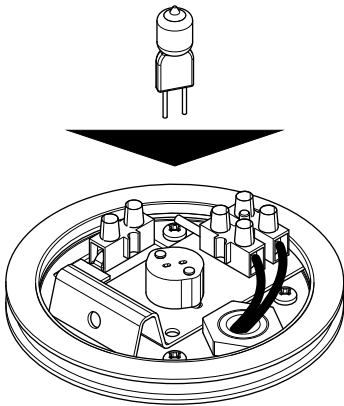


Use silicone glaze to seal the four screw holes and achieve IP66.

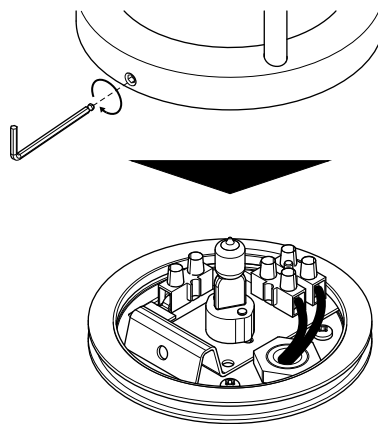
⚠ It is the installers responsibility to achieve an adequate seal against the mounting surface so that no water can enter the luminaire



**4. Insert lamp into fixture**  
 Check wattage and insert lamp into fixture. Test to ensure lamp and fixture is operational.

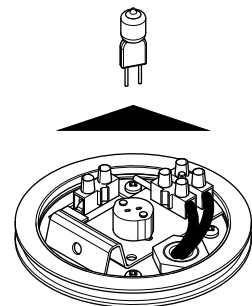


**5. Seal fixture**  
 Put lid over the base plate and tighten screws.

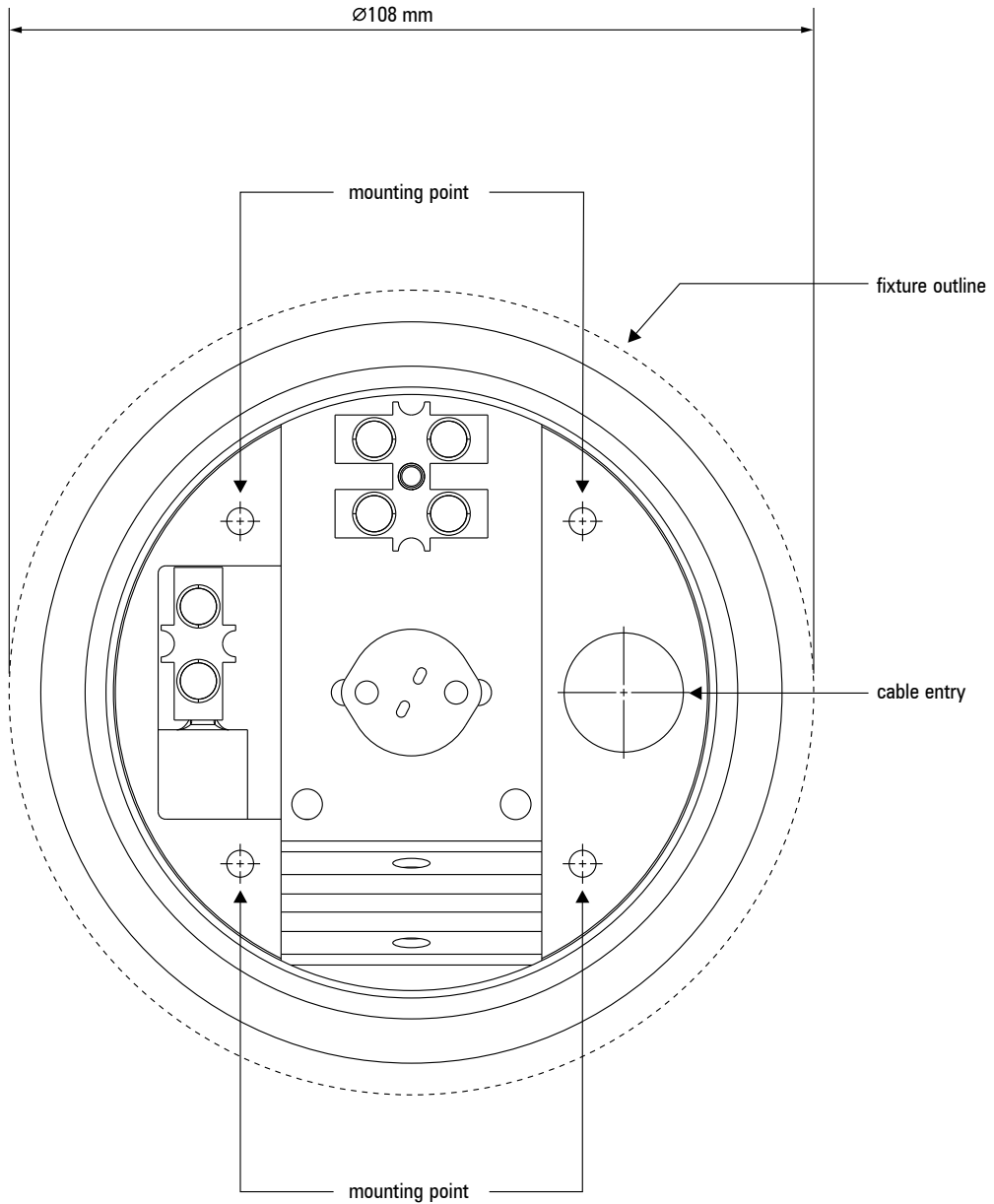


### RELAMPING

1. Open fixture as shown in *step 2*.
2. Remove old lamp from fixture as shown below.
3. Insert lamp into fixture as shown in *step 4*.
4. Seal fixture as shown in *step 5*.



# MOUNTING TEMPLATE

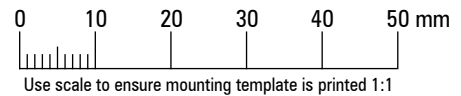


## Questions?

Call +61 7 3286 2299

Email [sales@lumascope.com.au](mailto:sales@lumascope.com.au)

[www.lumascope.com.au](http://www.lumascope.com.au)



Use scale to ensure mounting template is printed 1:1

## SAFETY INSTRUCTIONS

**WARNING - To reduce the risk of FIRE or INJURY:**

1. Luminaires and transformers to be installed by licensed electrical contractors.
2. Luminaires to be used for intended purpose only.
3. Do not operate the luminaires with a missing or damaged parts.
4. Use only genuine Lumascope parts to replace damaged or missing components.
5. Refer to instructions for installation and operating requirements.
6. Ensure installation complies with local regulations

**Voltage insulation test (megger) will permanently damage product and will void warranty.**

**SAVE THESE INSTRUCTIONS.**