



The LS411COB uses 'Chip on Board' technology to deliver powerful illumination and efficiency in one compact package. The high lumen density, combined with the traditional 'lamp and reflector' optics makes the LS411COB ideal for applications requiring wider distribution such as landscape lighting or other applications where sharp cutoff is not desired. Featuring a wide range of colour temperatures and optical / shielding combinations, the LS411COB retains the versatility of its discrete LED predecessor whilst dramatically boosting delivered lumens.

Performance

Static White & Colour	Lumen Output (lm)	Efficacy (lm/W)	Peak Intensity (cd)
● 2,700 K (80 CRI)	-	-	-
● 2,700 K (90 CRI)	-	-	-
● 3,000 K (80 CRI)	1,414	58	6,681
● 4,000 K (80 CRI)	1,488	58	7,184
● 5,000 K (80 CRI)	1,494	60	7,207

Static white lumen output values are based on a 20W luminaire with 20° lens without snoot.

Beam Angles	20°, 40°, 60°
--------------------	---------------

Electrical

LED Power	20W
Consumption	25.6W (nominal)
Input Voltage	Mains Voltage 100-277V AC, 50/60Hz

Physical

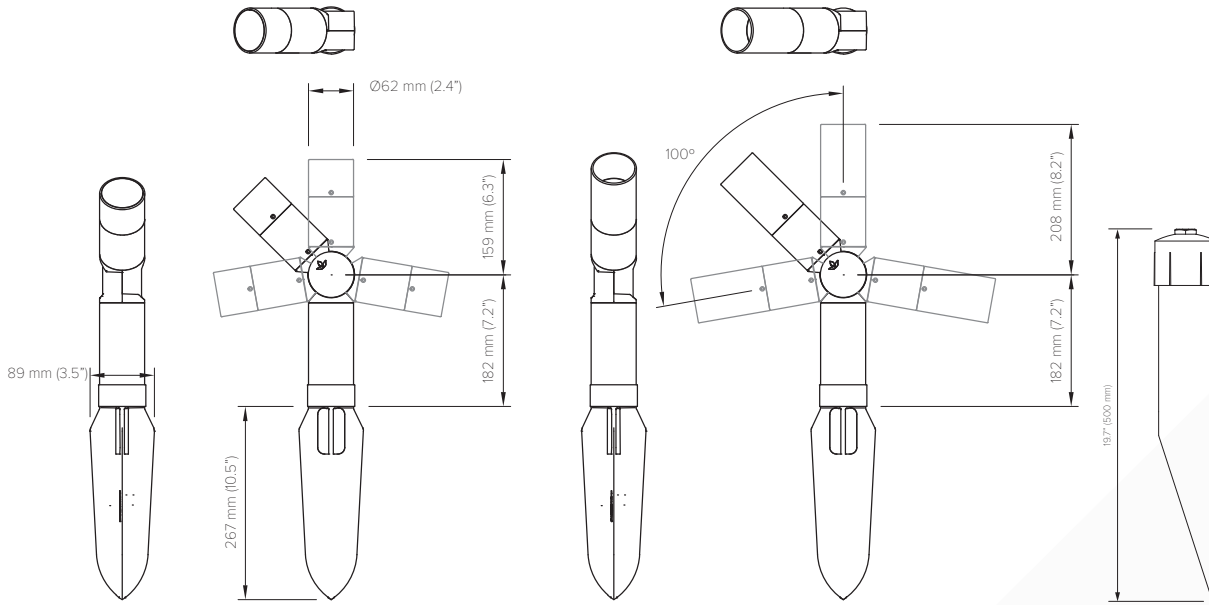
Housing	LM20 die cast marine grade powder coated aluminium
Installation	Concrete anchor
Ambient Operating Temperature	-20°C to 50°C (-4°F to 122°F)
Surface Temperature	≤65°C (≤149°F) HumanTouch™ Compliant

Certification & Compliance

IP Rating	IP67
Certifications	CE, ETL



Luminaire Dimensions



LS411COB - Flush Configuration

LS411COB - Snoot Configuration

LS6054 - Groundmount Stake
North American market only. Order separately.

LS411COB	20W				C		
-----------------	------------	--	--	--	----------	--	--

Static White & Colour		Code
2,700 K (80 CRI)		827
2,700 K (90 CRI)		927
3,000 K (80 CRI)		830
4,000 K (80 CRI)		840
5,000 K (80 CRI)		850

Mounting		Code
Concrete anchor		C ⁽¹⁾

(1) LS6054 spike required for North America - order separately

Input Voltage (International)		Code
100-240V AC, 50/60 Hz		01

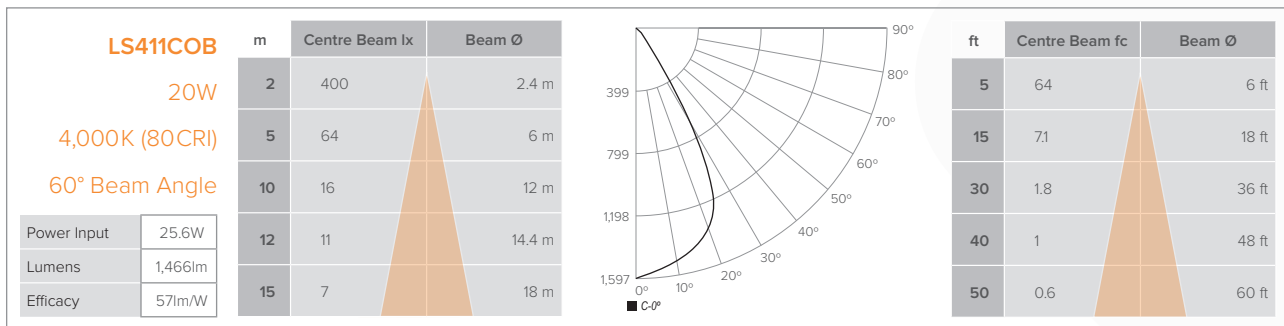
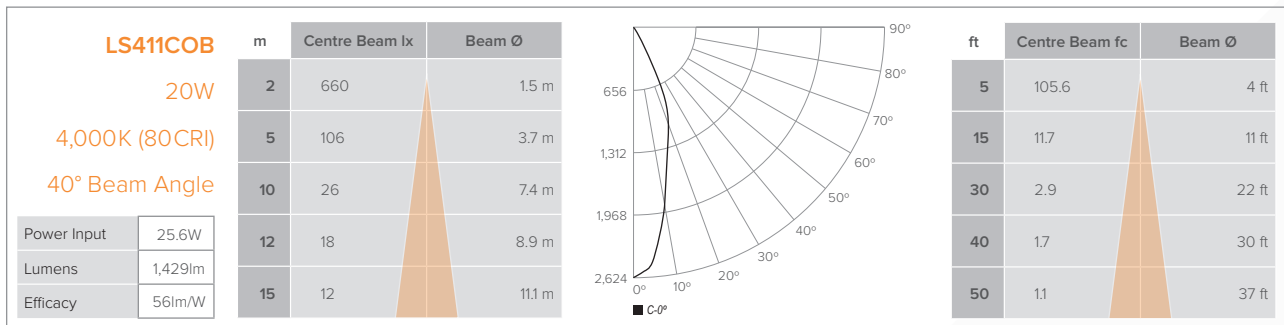
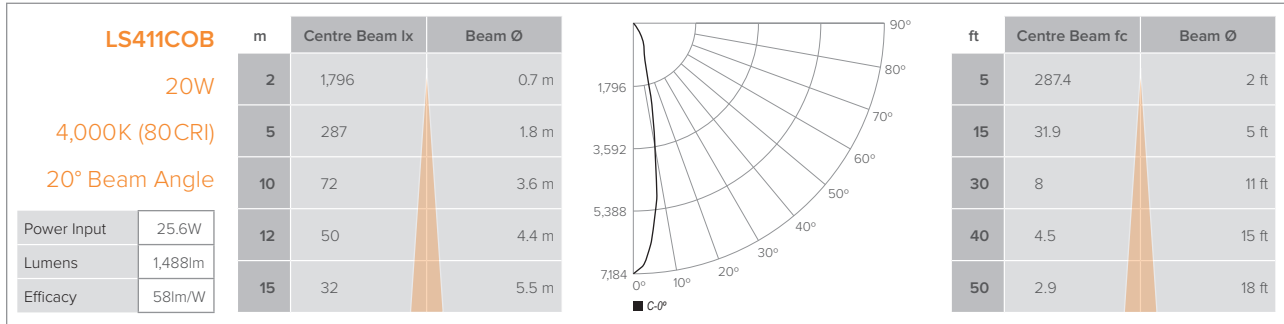
Input Voltage (North America)		Code
120-277V AC, 50/60 Hz		09

Beam		Code
Narrow Medium	20°	NM
Wide	40°	WD
Wide Flood	60°	WF

Shielding		Code
Flush		1
Snoot		2

Finish		Code
Black		BL
Anodic Silver		SL
White		WT

Photometric data is based on test results from a NIST traceable testing lab. IES data is available at www.lumascap.com
 Note: No depreciation factor is applied to the data shown.





The LS411COB surface-mount uses 'Chip on Board' technology to deliver powerful illumination and efficiency in one compact package. The high lumen density, combined with the traditional 'lamp and reflector' optics makes the LS411COB ideal for applications requiring wider distribution such as landscape lighting or other applications where sharp cutoff is not desired. Featuring a wide range of colour temperatures and optical / shielding combinations, the LS411COB retains the versatility of its discrete LED predecessor whilst dramatically boosting delivered lumens.

Performance

Static White & Colour	Lumen Output (lm)	Efficacy (lm/W)	Peak Intensity (cd)
● 2,700 K (80 CRI)	-	-	-
● 2,700 K (90 CRI)	-	-	-
● 3,000 K (80 CRI)	1,414	58	6,681
● 4,000 K (80 CRI)	1,488	58	7,184
● 5,000 K (80 CRI)	1,494	60	7,207

Static white lumen output values are based on a 20W luminaire with 20° lens without snoot.

Beam Angles	20°, 40°, 60°
--------------------	---------------

Electrical

LED Power	20W
Consumption	25.6 W (nominal)
Input Voltage	Mains Voltage 100-277V AC, 50/60Hz

Physical

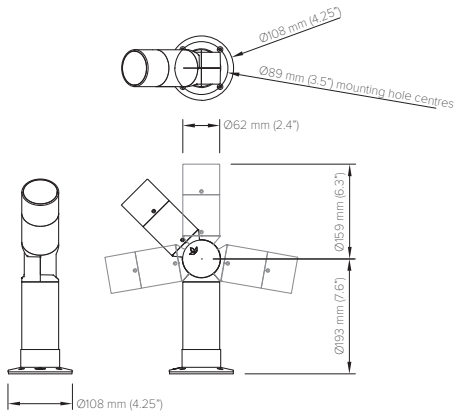
Housing	LM20 die cast marine grade powder coated aluminium
Installation	Surface-mount
Ambient Operating Temperature	-20°C to 50°C (-4°F to 122°F)
Surface Temperature	≤65°C (≤149°F) HumanTouch™ Compliant

Certification & Compliance

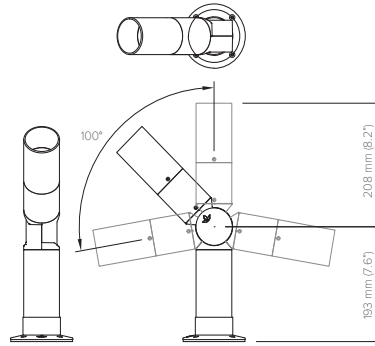
IP Rating	IP67
Certifications	CE, ETL



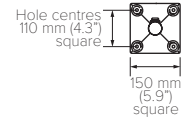
Luminaire Dimensions



LS411COB - Flush Configuration

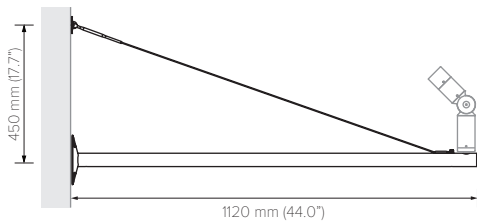


LS411COB - Snoot Configuration

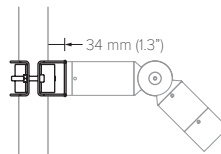


Surface mount configuration

Mounting Options

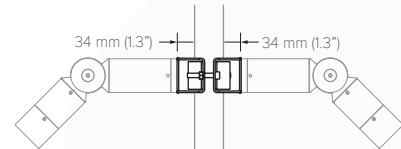


LS6025 - Signage system



LS6023-1 - Pole clamp

Clamp range
38mm (1.5") - 78 mm (3.1" pole diameter



LS6023-2 - Double Pole clamp

Clamp range
38mm (1.5") - 78 mm (3.1" pole diameter

LS411COB 20W

Static White & Colour	Code
2,700 K (80 CRI)	827
2,700 K (90 CRI)	927
3,000 K (80 CRI)	830
4,000 K (80 CRI)	840
5,000 K (80 CRI)	850

Beam	Code
Narrow Medium 20°	NM
Wide 40°	WD
Wide Flood 60°	WF

Mounting	Code
Surface mount	A
Pole clamp	B ⁽¹⁾
Signage system	B ⁽²⁾

(1) Requires LS6023-1 or LS6023-2 - order separately.
(2) Requires LS6025 - order separately.

Input Voltage (International)	Code
100-240V AC, 50/60 Hz	01

Input Voltage (North America)	Code
120-277V AC, 50/60 Hz	09

Shielding	Code
Flush	1
Snoot	2

Finish	Code
Black	BL
Anodic Silver	SL
White	WT

Photometric data is based on test results from a NIST traceable testing lab. IES data is available at www.lumascap.com
 Note: No depreciation factor is applied to the data shown.

