



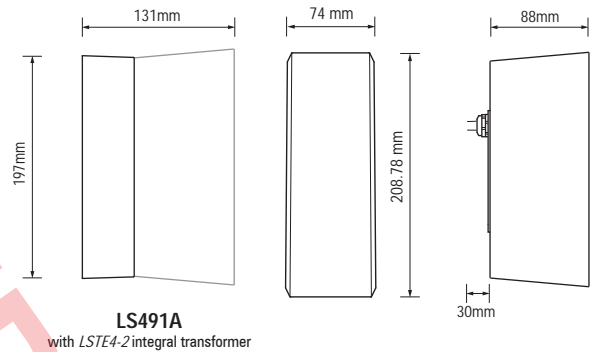
The LS491 is a wall mounted luminaire with linear styling complementary to modern architectural designs. Featuring a screwless appearance, the Moda is available with a transformer base for line voltage wiring. For a more compact appearance a remote transformer can be used.

SPECIFICATIONS

Lamp Source	Halogen MR16 (GU5.3)	2 x 20 W max
	<i>Low voltage lamp</i>	
	Halogen MR16 (GU10)	2 x 20 W max
	<i>Line voltage lamp</i>	
IP Rating	IP65	
Construction	Powder coated aluminium	
	<ul style="list-style-type: none"> ■ Black ■ Silver 	
Installation Type	Wall mount	
Standard Inclusions	Thermal cutout	
	Toughened frosted glass lens	
Ambient Operating Temperature	-20 °C to +50 °C	
Warranty	2 year structural, 1 year electrical	
Accessories	LSTE4-2 Integral transformer	
	<i>Order separately</i>	
Photometrics	Use photometry files from your lamp manufacturer	
Surface Temperature	HumanTouch™ compliant	
	≤65 °C	2 x 20 W max MR16



LS491 Moda



NOTE: Product specifications are subject to change without notice. Any luminaire can become hot - take care with appropriate use and placement.

CONFIGURE THIS PRODUCT >

LS491	→	□	→	□			
		↑					
SOURCE		FINISH					
Lamp	Wattage	Base	Voltage	Code	Description	Material	Code
Halogen MR16	2 x 20 W	GU5.3	12 V ⁽¹⁾	A	Powder coated black	Aluminium	CB
		GU10	Line voltage	V	Powder coated anodic silver	Aluminium	CS

⁽¹⁾ Requires integral LSTE4-2 or remote transformer - see page 239.