






LUMASCAPE

MODELS LS441A  
 12V 35watt IRC max.  
 IP65 rated

# IMPORTANT INSTRUCTIONS

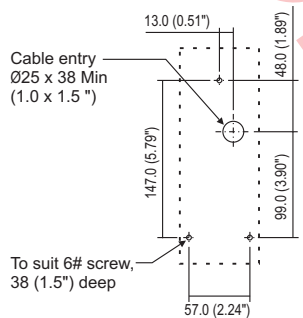
For Installation 441A WEDGE: SURFACE MOUNT ONLY

Warning: The Luminaire should only be used complete with its protective shield (cover)

LumascapE Lighting Industries Pty Ltd  
 38-44 Enterprise Street, Cleveland, QLD 4163, Australia  
 PO Box 1875, Cleveland D.C., QLD 4163, Australia  
 T 07 3286 2299  
 F 07 3286 6599  
 E sales@lumascapE.com.au  
 W www.lumascapE.com.au

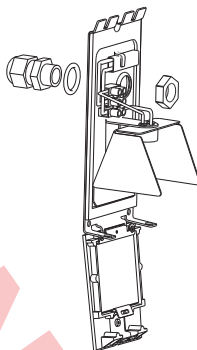
Note: To achieve IP65 rating mount with point of wedge UP, use round cable (size 5-10mm) to suit entry gland supplied with fixture.

**1** Please exercise caution when placing fixture. Place above head height.



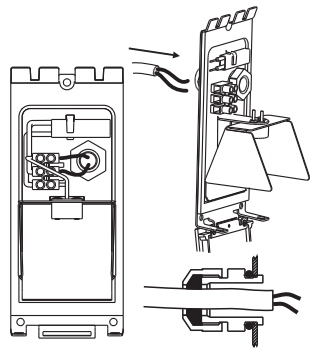
Mark locations of fixtures (refer voltage drop chart over).  
 Mark and drill/cast holes.

**2**



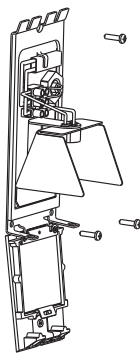
Remove lid from fixture and insert cable gland and o-ring into base (optional, required for IP65 rating).

**3**



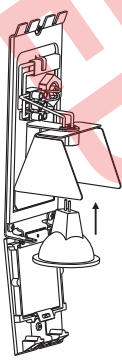
Terminate supply cable in fixture and tighten cable gland onto cable.  
 Note: Ensure only round supply cable is used and cable gland seals on the outer insulation to ensure maximum IP rating.

**4**



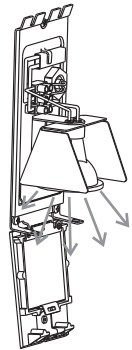
Screw base to mounting surface.

**5**



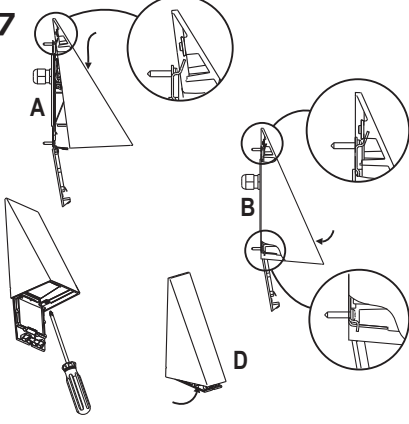
Insert lamp and Test Fixture.

**6**



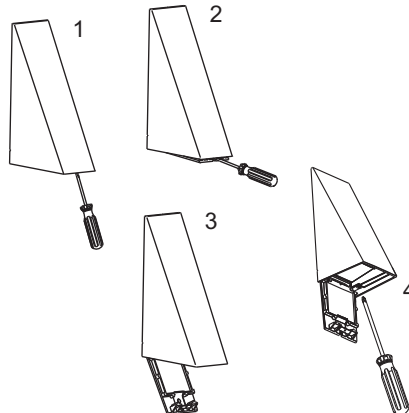
Test Fixture/Fixtures.

**7**



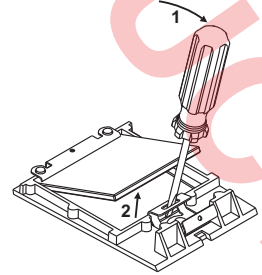
Re-Attach Lid to fixture.

**LID REMOVAL**



**RELAMPING**  
 Remove cover and re-lamp as per instructions 5,6,7.



**LENS REMOVAL & REPLACEMENT**




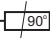


LUMASCAPE

MODELS LS441A  
 12V 35watt IRC max.  
 IP65 rated

90°C

N563

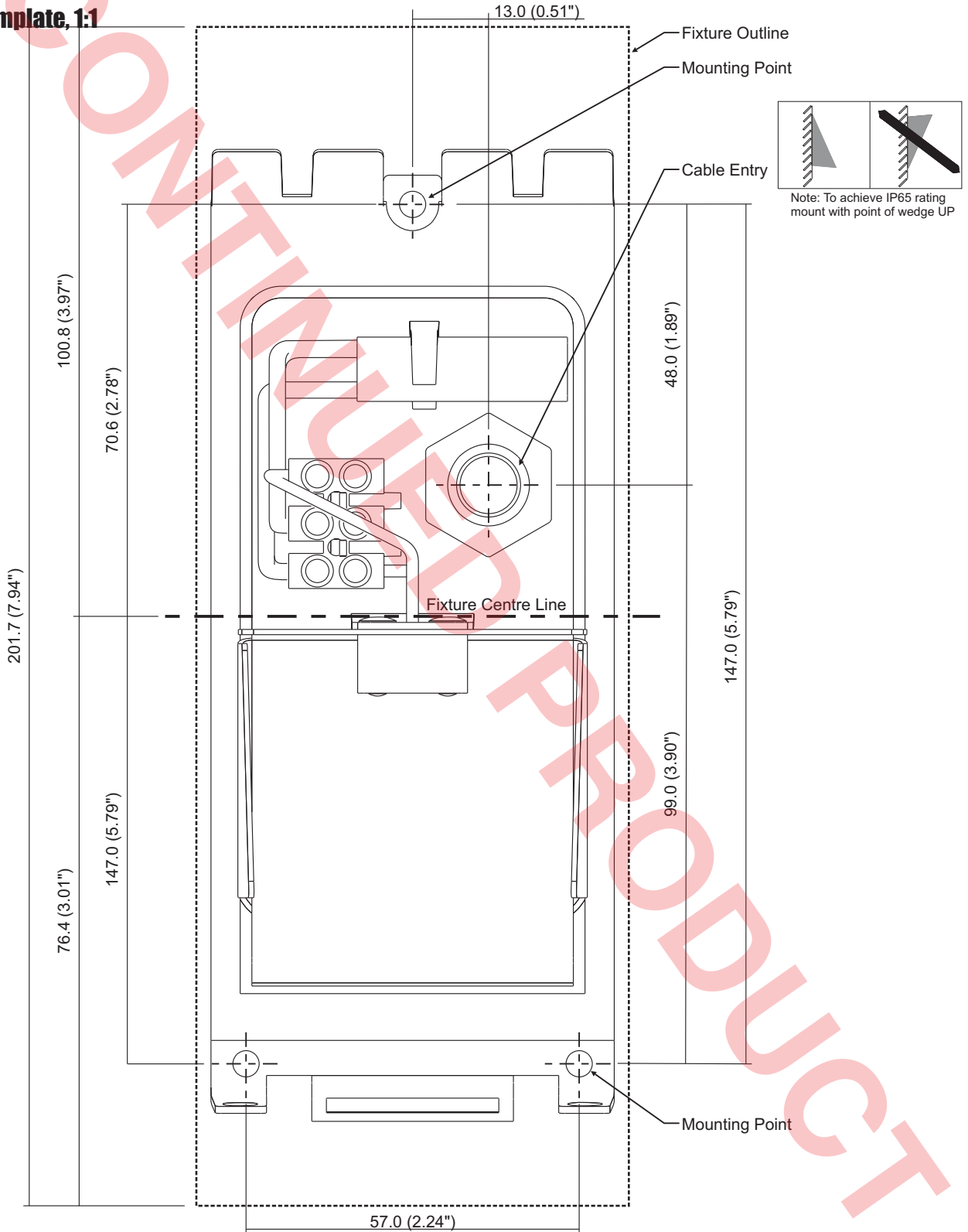
# B IMPORTANT INSTRUCTIONS

For Installation 441A WEDGE: SURFACE MOUNT ONLY

Warning: The Luminaire should only be used complete with its protective shield (cover)

Lumascope Lighting Industries Pty Ltd  
 38-44 Enterprise Street, Cleveland, QLD 4163, Australia  
 PO Box 1875, Cleveland D.C., QLD 4163, Australia  
 T 07 3286 2299  
 F 07 3286 6599  
 E sales@lumascope.com.au  
 W www.lumascope.com.au

## Mounting Template, 1:1



## IMPORTANT SAFETY INSTRUCTIONS

INSTRUCTIONS PERTAINING TO A RISK OF FIRE, OR INJURY TO PERSONS

**WARNING** - To reduce the risk of FIRE or INJURY:

1. Wall mount only
2. Fixtures can become very hot. Use discretion in placement.
3. Turn Off/Unplug and allow to cool before replacing lamp.
4. Lamp gets hot quickly! Contact only switch/plug when turning on.
5. Do not touch hot lens, guard, or enclosure.
6. Keep lamp away from materials that may burn.
7. Do not touch the lamp at any time. Use a soft cloth. Oil from skin may damage lamp.
8. Do not operate the lighting fixture with a missing or damaged shield.
9. CAUTION - HOT SURFACE. Keep away from curtains and other combustible material.
10. Loctite Silver Grade Anti Seize on threads. Reapply if needed.

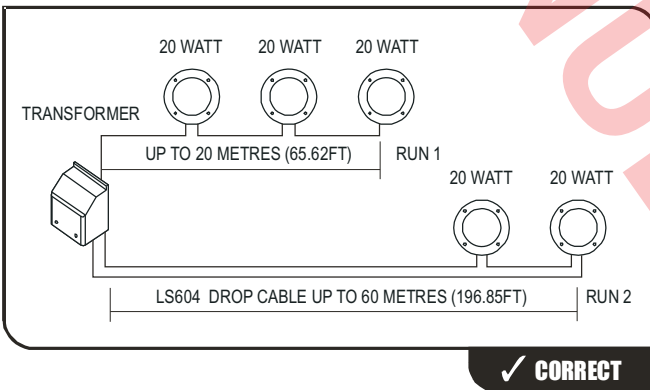
**SAVE THESE INSTRUCTIONS.**

## VOLTAGE DROP CHARTS - 12 VOLT CABLE

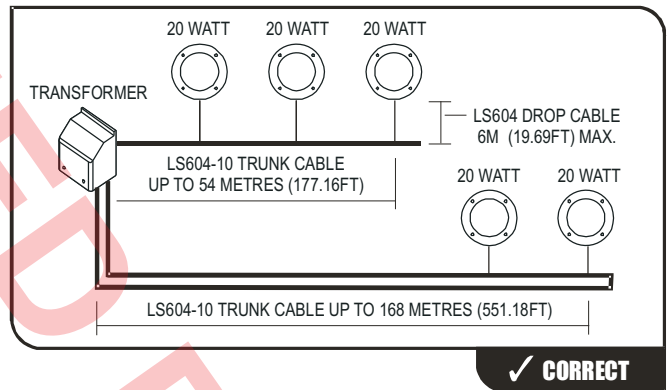
Note: The information below relates to Lumascap LS604 Direct Burial Cable only.

It is important that the Voltage Drop ( the amount of Voltage lost over a length of cable) is kept to a maximum 1 Volt (ie. the Voltage should not be less than 11 Volts at the fixture).

A larger cable will experience a lower voltage drop over the same length of cable (refer Voltage Drop Chart below).



This example shows the correct way of installing the system using LS604 Drop Cable - The total load on RUN1 is 60 watts over 20 metres (65.62ft) which is allowed in the Voltage Drop Chart below (refer to (1)). The load on RUN2 is 40 watts and using a doubled cable allows the run to be up to 60 metres long (196.85ft) (refer to (2)).



This example shows the correct way of installing the system using LS604-10 Trunk Cable - The total load on RUN1 is 60 watts at 54 metres (177.17ft) which is the maximum allowed in the Voltage Drop Chart below (refer to (3)). The load on RUN2 is 40 watts and using a doubled cable allows the run to be up to 168 metres (551.18ft) long (refer to (4) in Voltage Drop Chart).

## VOLTAGE DROP CHART

LOAD	3.3MM (0.13IN) LS604 DROP CABLE		6MM (0.24IN) LS604-6 TRUNK CABLE		10MM (0.39IN) LS604-10 TRUNK CABLE	
	Single	Double	Single	Double	Single	Double
20W	70m (229.66ft)	140m (459.32ft)	105m (344.49ft)	210m (688.98ft)	140m (459.32ft)	280m (918.64ft)
40W	30m (98.43ft)	60m (196.85ft) (2)	55m (180.45ft)	110m (360.90ft)	84m (275.59ft)	168m (551.18ft) (4)
50W	25m (82.02ft)	50m (164.04ft)	44m (144.36ft)	88m (288.72ft)	62m (203.41ft)	124m (406.82ft)
60W	20m (65.62ft) (1)	40m (131.24ft)	36m (118.11ft)	72m (236.22ft)	54m (177.16ft) (3)	108m (353.00ft)
70W	15m (49.21ft)	30m (98.42ft)	30m (98.43ft)	60m (196.86ft)	50m (164.04ft)	100m (328.08ft)
80W	14m (45.93ft)	28m (91.86ft)	27m (88.58ft)	54m (177.16ft)	46m (150.92ft)	92m (301.84ft)
90W	13m (42.65ft)	26m (85.30ft)	24m (78.74ft)	48m (157.48ft)	42m (137.76ft)	84m (275.52ft)
100W	12m (39.37ft)	24m (78.74ft)	21m (68.90ft)	41m (137.80ft)	36m (118.11ft)	72m (236.22ft)
120W	10m (32.81ft)	20m (65.62ft)	18m (59.06ft)	36m (118.11ft)	30m (98.43ft)	60m (196.86ft)
250W	4m (13.12ft)	8m (26.24ft)	9m (29.52ft)	18m (59.05ft)	17m (55.77ft)	34m (112ft)

**CAUTION**

The distances and wattages shown are maximum and should not be exceeded.