

# IMPORTANT INSTRUCTIONS

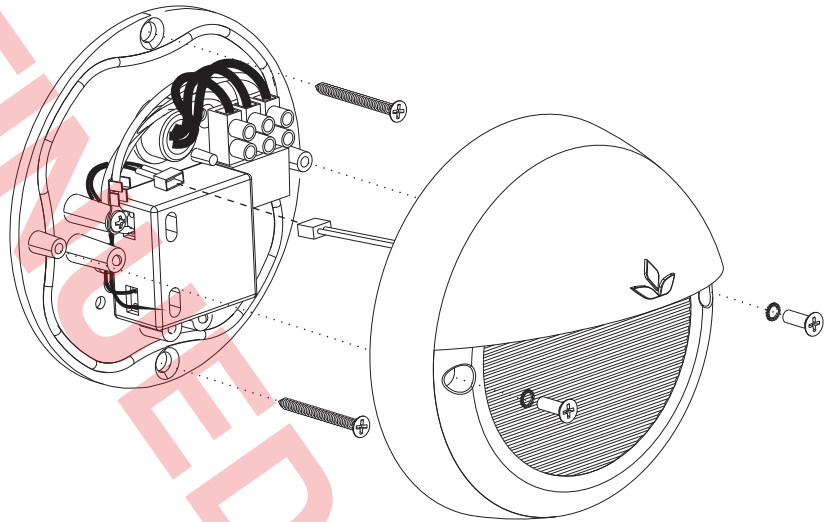
## For Installation LS371LED BOULEVARD: SURFACE MOUNT ONLY

Warning: The Luminaire should only be used complete with its protective shield (cover)

**CAUTION: This product must only be installed by a licensed electrical worker**  
**WARRANTY WILL BE VOID IF CABLE IS DISCONNECTED FROM FITTING**  
**ALL CONNECTIONS MUST BE KEPT DRY; FAILURE TO DO SO MAY RESULT IN PRODUCT RELIABILITY ISSUES**

### LS371 LED-IXXX INSTALLATION (MAINS VOLTAGE VARIANT)

1. Mark and drill/cast holes in required locations.
2. Make sure that there is enough room for the factory-installed supply cable and gland.
3. Remove fascia from fixture and unplug LED cable from driver.
4. Screw base plate to wall.
5. Plug LED cable back into driver.
6. Assemble fascia onto mounting plate and fasten using supplied screws and star washers.
7. Test in accordance with local standards.

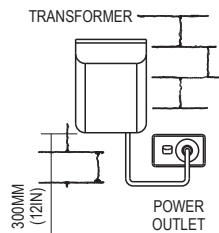


**IMPORTANT NOTE:** Ensure LED cable connector does not go between fascia and driver

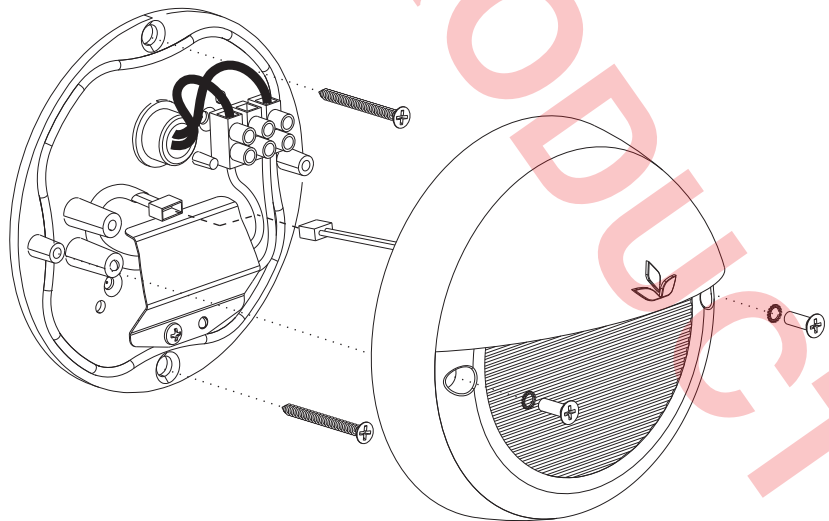
**PLEASE ENSURE THAT  
INSTALLATION COMPLIES WITH  
LOCAL AUTHORITY STANDARDS**

### LS371 LED-DXXX INSTALLATION (LOW VOLTAGE VARIANT)

1. Select a suitable 12VAC magnetic transformer and locate central in relation to fixtures. Refer warning over.



2. Mark and drill/cast holes in required locations.
3. Make sure that there is enough room for the factory-installed supply cable and gland.
4. Remove fascia from fixture and unplug LED cable from driver.
5. Screw base plate to wall.
6. Plug LED cable back into driver.
7. Assemble fascia onto mounting plate and fasten using supplied screws and star washers.
8. Test in accordance with local standards.



**PLEASE ENSURE THAT  
INSTALLATION COMPLIES WITH  
LOCAL AUTHORITY STANDARDS**

[www.lumascape.com.au](http://www.lumascape.com.au)

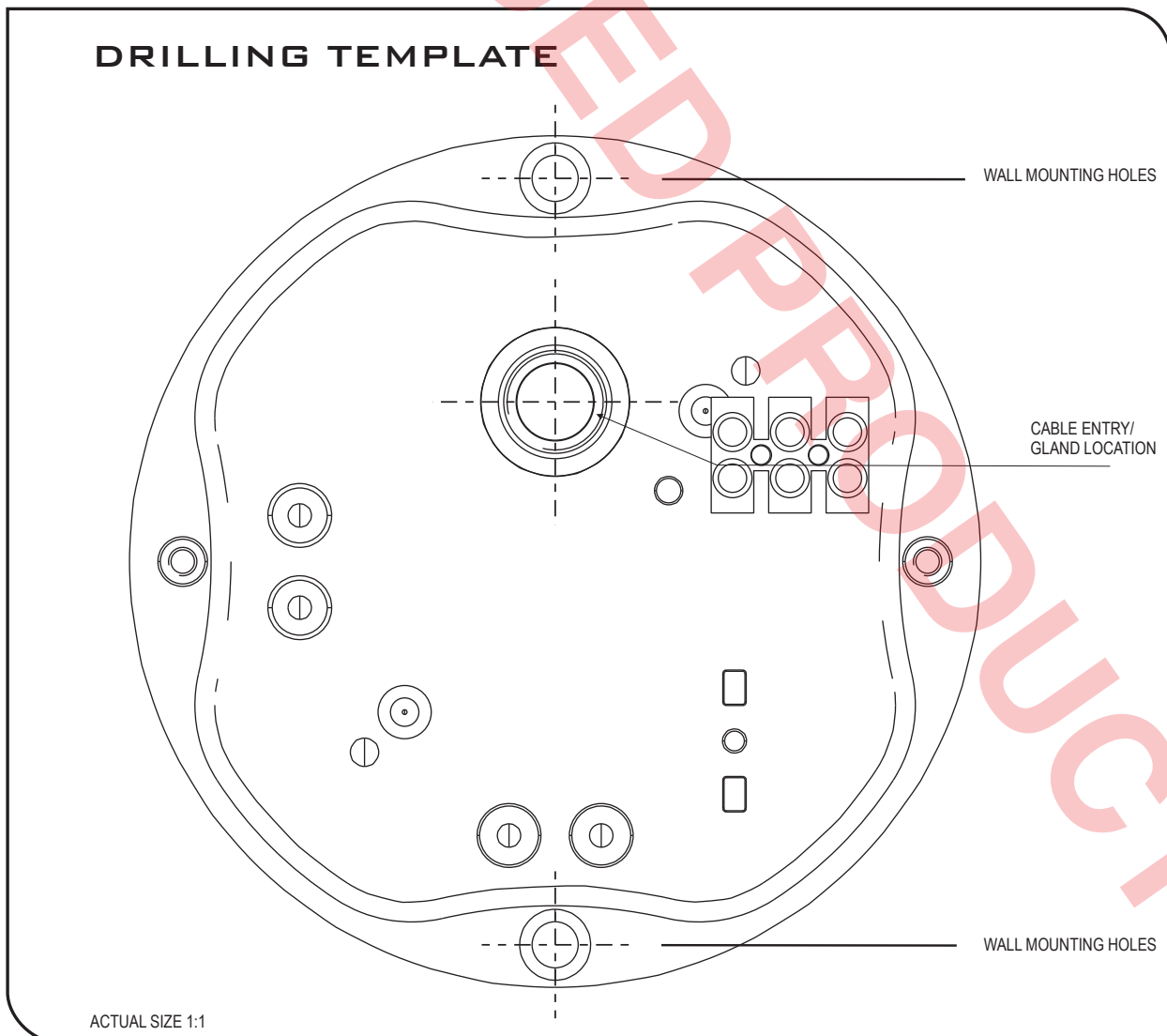
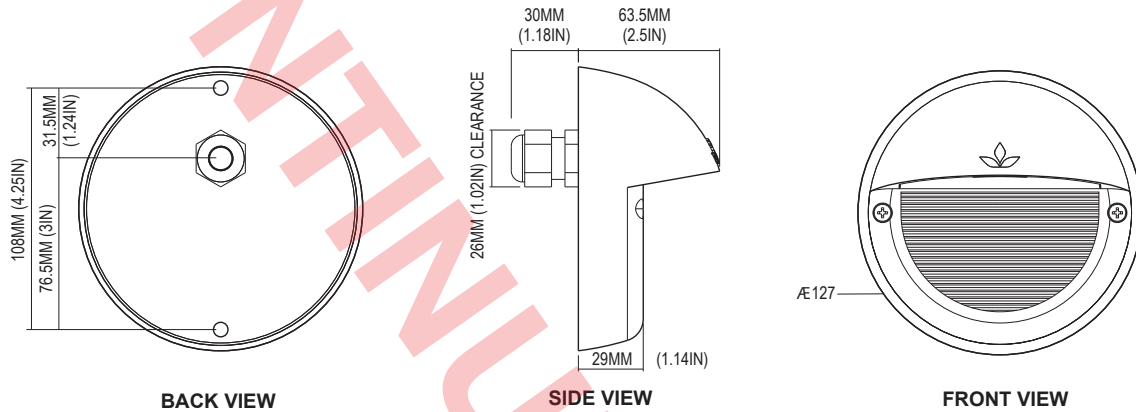
# IMPORTANT INSTRUCTIONS

For Installation LS371LED BOULEVARD: SURFACE MOUNT ONLY

Warning: The Luminaire should only be used complete with its protective shield (cover)

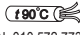
**Lumascap Lighting Industries Pty Ltd**  
 38-44 Enterprise Street, Cleveland, QLD 4163, Australia  
 PO Box 1875, Cleveland D.C., QLD 4163, Australia  
 T 07 3286 2299  
 F 07 3286 6599  
 E sales@lumascap.com.au  
 W www.lumascap.com.au

**CAUTION: This product must only be installed by a licensed electrical worker**  
**WARRANTY WILL BE VOID IF CABLE IS DISCONNECTED FROM FITTING**  
**ALL CONNECTIONS MUST BE KEPT DRY; FAILURE TO DO SO MAY RESULT IN PRODUCT RELIABILITY ISSUES**



[www.lumascap.com.au](http://www.lumascap.com.au)



LS371LED-IXXX  
 Mains voltage input 100-240V AC  
 2x1W LED, IP67 rated, Class 1  
 LS371LED-DXXX  
 Low voltage input 12V AC (magnetic transformer only)  
 2x1W LED, IP67 rated, Class 3  A.C.N. 010 572 773

# IMPORTANT INSTRUCTIONS

For Installation LS371LED BOULEVARD: SURFACE MOUNT ONLY

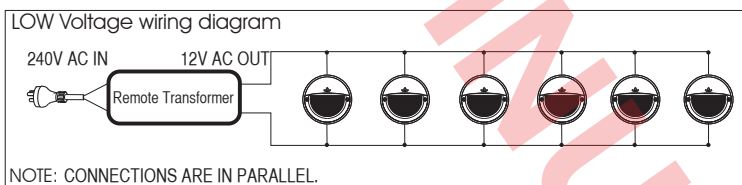
Warning: The Luminaire should only be used complete with its protective shield (cover)

Lumascap Lighting Industries Pty Ltd  
 38-44 Enterprise Street, Cleveland, QLD 4163, Australia  
 PO Box 1875, Cleveland D.C., QLD 4163, Australia  
 T 07 3286 2299  
 F 07 3286 6599  
 E sales@lumascap.com.au  
 W www.lumascap.com.au

**CAUTION: This product must only be installed by a licensed electrical worker**  
**WARRANTY WILL BE VOID IF CABLE IS DISCONNECTED FROM FITTING**  
**ALL CONNECTIONS MUST BE KEPT DRY; FAILURE TO DO SO MAY RESULT IN PRODUCT RELIABILITY ISSUES**

## Technical data - low voltage input

Source: Luxeon LED 2x1 Watt  
 Input: 12V AC (magnetic transformer only)



### Remote Transformer

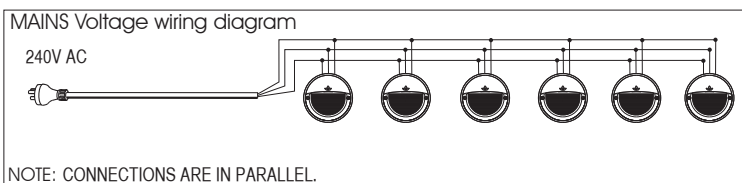
LS50TX	50VA 12V AC MAGNETIC TRANSFORMER
LS100TX	100VA 12V AC MAGNETIC TRANSFORMER
LS200TX	200VA 12V AC MAGNETIC TRANSFORMER
LS300TX	300VA 12V AC MAGNETIC TRANSFORMER

### 2X1W FIXTURE

Up to 10 fittings
Up to 20 fittings
Up to 40 fittings
Up to 60 fittings

## Technical data - mains voltage input

Source: Luxeon LED 2X1 Watt  
 Input: 100-240V AC, 50/60Hz



## Warning

The correct power supply must be used in conjunction with the Luxeon LED light sources.  
 This will ensure the maximum life of the LED light source.

[www.lumascap.com.au](http://www.lumascap.com.au)